

Technical specifications.

The new BMW Z4.

Z4 sDrive20i.



BMW Z4 sDrive20i		
Body		
No of doors/seats		2 / 2
Length/width/height (unladen)	mm	4324 / 1864 / 1304
Wheelbase	mm	2470
Track, front/rear	mm	1609 / 1616
Ground clearance	mm	117
Turning circle	m	11.0
Fuel tank capacity	approx. l	52
Engine oil ¹⁾	l	5.25
Weight, unladen, to DIN/EU	kg	1405 / 1480
Max load to DIN	kg	335
Max permissible weight	kg	1740
Max axle load, front/rear	kg	830 / 935
Max trailer load, braked (12%/unbraked)	kg	- / -
Max roofload/max towbar download	kg	- / -
Luggage comp capacity	l	281
Air resistance	c _d x A	0.29 x 2.07
Power Unit		
Config/No of cyls/valves		In-line / 4 / 4
Engine technology		BMW TwinPower Turbo technology: TwinScroll turbocharger, High Precision Direct Injection, VALVETRONIC fully variable valve control, Double-VANOS variable camshaft timing
Effective capacity	cc	1998
Stroke/bore	mm	94.6 / 82.0
Compression ratio	:1	10.2
Fuel		Min. RON 91
Max output	kW/hp	145 / 197
at	rpm	4500 – 6500
Max torque	Nm	320
at	rpm	1450 – 4200
Electrical System		
Battery/installation	Ah/-	80 / luggage compartment
Driving Dynamics and Safety		
Suspension, front		Double-joint spring-strut axle in lightweight aluminium-steel construction, hydraulically damped torque strut bearings
Suspension, rear		Five-link axle in lightweight aluminium-steel construction
Brakes, front		Single-piston floating-calliper disc brakes, vented
Brakes, rear		Single-piston floating-calliper disc brakes, vented
Driving stability systems		Standard: DSC incl. ABS and DTC (Dynamic Traction Control), CBC (Cornering Brake Control), DBC (Dynamic Brake Control), Dry Braking function, Fading Compensation, Start-Off Assistant; optional: Adaptive M suspension
Safety equipment		Standard: airbags for driver and front passenger, side airbags for driver and front passenger with combined head airbags, three-point inertia-reel seatbelts with belt stopper, belt latch tensioner and belt force limiter, crash sensors, rollover protection system, tyre pressure indicator
Steering		Electric Power Steering (EPS) with Servotronic function, variable sport steering
Steering ratio, overall	:1	15.1
Tyres, front/rear		225/50 R17 98Y XL / 255/45 R17 98Y
Rims, front/rear		7.5J x 17 light-alloy / 8.5J x 17 light-alloy

BMW Z4 sDrive20i

Transmission

Type of transmission	Eight-speed Steptronic transmission		
Gear ratios	I	:1	5.250
	II	:1	3.360
	III	:1	2.172
	IV	:1	1.720
	V	:1	1.316
	VI	:1	1.000
	VII	:1	0.822
	VIII	:1	0.640
	R	:1	3.712
Final drive		:1	3.154

Performance

Power-to-weight ratio (DIN)	kg/kW	9.7
Output per litre	kW/l	72.6
Acceleration 0–100 km/h	s	6.6
Top speed	km/h	240

BMW EfficientDynamics

BMW EfficientDynamics standard features	Brake Energy Regeneration with recuperation display, Electric Power Steering (EPS), Auto Start Stop function, Optimum Shift Indicator, ECO PRO mode with coasting function and Proactive Driving Assistant, BMW EfficientLightweight, optimised aerodynamic attributes, active air flap control, on-demand operation of ancillary units, map-regulated oil pump, differential with optimised warm-up behaviour, tyres with reduced rolling resistance
---	---

Fuel Consumption ECE

Urban	l/100 km	7.4 – 7.3
Extra-urban	l/100 km	5.4 – 5.0
Combined	l/100 km	6.1 – 6.0
CO ₂	g/km	139 – 137
Emission rating		Euro 6d-TEMP

Specifications apply to ACEA markets/data relevant to homologation applies in part only to Germany (weight)

¹⁾ Oil change

The fuel consumption, CO₂ emissions and electric power consumption figures were determined according to the European Regulation (EC) 715/2007 in the version applicable. The figures refer to a vehicle with basic configuration in Germany. The range shown considers the different sizes of the selected wheels/tyres and the selected items of optional equipment, and may vary during configuration.

The values are already based on the new WLTP test cycle and are translated back into NEDC-equivalent values in order to ensure comparability between the vehicles. With respect to these vehicles, for vehicle-related taxes or other duties based (at least inter alia) on CO₂ emissions, the CO₂ values may differ from the values stated here (depending on national legislation).

Further information on official fuel consumption figures and specific CO₂ emission values of new passenger cars is included in the following guideline: 'Leitfaden über den Kraftstoffverbrauch, die CO₂-Emissionen und den Stromverbrauch neuer Personenkraftwagen' (Guide to the fuel economy, CO₂ emissions and electric power consumption of new passenger cars), which can be obtained free of charge from all dealerships, from Deutsche Automobil Treuhand GmbH (DAT), Hellmuth-Hirth-Str. 1, 73760 Ostfildern-Schramhausen and at <https://www.dat.de/co2/>.

The new BMW Z4. Z4 sDrive30i.

BMW Z4 sDrive30i		
Body		
No of doors/seats		2 / 2
Length/width/height (unladen)	mm	4324 / 1864 / 1304
Wheelbase	mm	2470
Track, front/rear	mm	1609 / 1616
Ground clearance	mm	117
Turning circle	m	11.0
Fuel tank capacity	approx. l	52
Engine oil ¹⁾	l	5.25
Weight, unladen, to DIN/EU	kg	1415 / 1490
Max load to DIN	kg	325
Max permissible weight	kg	1740
Max axle load, front/rear	kg	830 / 935
Max trailer load, braked (12%/unbraked)	kg	- / -
Max roofload/max towbar download	kg	- / -
Luggage comp capacity	l	281
Air resistance	c _d x A	0.29 x 2.07
Power Unit		
Config/No of cyls/valves		In-line / 4 / 4
Engine technology		BMW TwinPower Turbo technology: TwinScroll turbocharger, High Precision Direct Injection, VALVETRONIC fully variable valve control, Double-VANOS variable camshaft timing
Effective capacity	cc	1998
Stroke/bore	mm	94.6 / 82.0
Compression ratio	:1	10.2
Fuel		Min. RON 91
Max output	kW/hp	190 / 258
at	rpm	5000 – 6500
Max torque	Nm	400
at	rpm	1550 – 4400
Electrical System		
Battery/installation	Ah/-	80 / luggage compartment
Driving Dynamics and Safety		
Suspension, front		Double-joint spring-strut axle in lightweight aluminium-steel construction, hydraulically damped torque strut bearings
Suspension, rear		Five-link axle in lightweight aluminium-steel construction
Brakes, front		Single-piston floating-calliper disc brakes, vented
Brakes, rear		Single-piston floating-calliper disc brakes, vented
Driving stability systems		Standard: DSC incl. ABS and DTC (Dynamic Traction Control), CBC (Cornering Brake Control), DBC (Dynamic Brake Control), Dry Braking function, Fading Compensation, Start-Off Assistant; optional: Adaptive M suspension, M Sport differential
Safety equipment		Standard: airbags for driver and front passenger, side airbags for driver and front passenger with combined head airbags, three-point inertia-reel seatbelts with belt stopper, belt latch tensioner and belt force limiter, crash sensors, rollover protection system, tyre pressure indicator
Steering		Electric Power Steering (EPS) with Servotronic function, variable sport steering
Steering ratio, overall	:1	15.1
Tyres, front/rear		225/50 R17 98Y XL / 255/45 R17 98Y
Rims, front/rear		7.5J x 17 light-alloy / 8.5J x 17 light-alloy

BMW Z4 sDrive30i

Transmission

Type of transmission	Eight-speed Steptronic transmission		
Gear ratios	I	:1	5.250
	II	:1	3.360
	III	:1	2.172
	IV	:1	1.720
	V	:1	1.316
	VI	:1	1.000
	VII	:1	0.822
	VIII	:1	0.640
	R	:1	3.712
Final drive		:1	3.154

Performance

Power-to-weight ratio (DIN)	kg/kW	7.4
Output per litre	kW/l	95.1
Acceleration 0–100 km/h	s	5.4
Top speed	km/h	250

BMW EfficientDynamics

BMW EfficientDynamics standard features	Brake Energy Regeneration with recuperation display, Electric Power Steering (EPS), Auto Start Stop function, Optimum Shift Indicator, ECO PRO mode with coasting function and Proactive Driving Assistant, BMW EfficientLightweight, optimised aerodynamic attributes, active air flap control, on-demand operation of ancillary units, map-regulated oil pump, differential with optimised warm-up behaviour, tyres with reduced rolling resistance
---	---

Fuel Consumption ECE

Urban	l/100 km	7.4 – 7.4
Extra-urban	l/100 km	5.3 – 4.9
Combined	l/100 km	6.1 – 6.0
CO ₂	g/km	139 – 137
Emission rating		Euro 6d-TEMP

Specifications apply to ACEA markets/data relevant to homologation applies in part only to Germany (weight)

¹⁾ Oil change

The fuel consumption, CO₂ emissions and electric power consumption figures were determined according to the European Regulation (EC) 715/2007 in the version applicable. The figures refer to a vehicle with basic configuration in Germany. The range shown considers the different sizes of the selected wheels/tyres and the selected items of optional equipment, and may vary during configuration.

The values are already based on the new WLTP test cycle and are translated back into NEDC-equivalent values in order to ensure comparability between the vehicles. With respect to these vehicles, for vehicle-related taxes or other duties based (at least inter alia) on CO₂ emissions, the CO₂ values may differ from the values stated here (depending on national legislation).

Further information on official fuel consumption figures and specific CO₂ emission values of new passenger cars is included in the following guideline: 'Leitfaden über den Kraftstoffverbrauch, die CO₂-Emissionen und den Stromverbrauch neuer Personenkraftwagen' (Guide to the fuel economy, CO₂ emissions and electric power consumption of new passenger cars), which can be obtained free of charge from all dealerships, from Deutsche Automobil Treuhand GmbH (DAT), Hellmuth-Hirth-Str. 1, 73760 Ostfildern-Schramhausen and at <https://www.dat.de/co2/>.

The new BMW Z4. Z4 M40i.

BMW Z4 M40i		
Body		
No of doors/seats		2 / 2
Length/width/height (unladen)	mm	4324 / 1864 / 1304
Wheelbase	mm	2470
Track, front/rear	mm	1594 / 1589
Ground clearance	mm	114
Turning circle	m	11.0
Fuel tank capacity	approx. l	52
Engine oil ¹⁾	l	6.5
Weight, unladen, to DIN/EU	kg	1535 / 1610
Max load to DIN	kg	325
Max permissible weight	kg	1860
Max axle load, front/rear	kg	865 / 995
Max trailer load, braked (12%/unbraked)	kg	- / -
Max roofload/max towbar download	kg	- / -
Luggage comp capacity	l	281
Air resistance	c _d x A	0.31 x 2.07
Power Unit		
Config/No of cyls/valves		In-line / 6 / 4
Engine technology		M Performance TwinPower Turbo technology: TwinScroll turbocharger, High Precision Direct Injection, VALVETRONIC fully variable valve control, Double-VANOS variable camshaft timing
Effective capacity	cc	2998
Stroke/bore	mm	94.6 / 82.0
Compression ratio	:1	11.0
Fuel		Min. RON 91
Max output	kW/hp	250 / 340
at	rpm	5000 – 6500
Max torque	Nm	500
at	rpm	1600 – 4500
Electrical System		
Battery/installation	Ah/-	90 / luggage compartment
Driving Dynamics and Safety		
Suspension, front		Double-joint spring-strut axle in lightweight aluminium-steel construction, hydraulically damped torque strut bearings
Suspension, rear		Five-link axle in lightweight aluminium-steel construction
Brakes, front		Four-piston fixed-calliper disc brakes, vented
Brakes, rear		Single-piston floating-calliper disc brakes, vented
Driving stability systems		Standard: DSC incl. ABS and DTC (Dynamic Traction Control), CBC (Cornering Brake Control), DBC (Dynamic Brake Control), Dry Braking function, Fading Compensation, Start-Off Assistant, Adaptive M suspension, M Sport differential
Safety equipment		Standard: airbags for driver and front passenger, side airbags for driver and front passenger with combined head airbags, three-point inertia-reel seatbelts with belt stopper, belt latch tensioner and belt force limiter, crash sensors, rollover protection system, tyre pressure indicator
Steering		Electric Power Steering (EPS) with Servotronic function, variable sport steering
Steering ratio, overall	:1	15.1
Tyres, front/rear		255/40 ZR18 95Y / 275/40 ZR18 99Y
Rims, front/rear		9J x 18 light-alloy / 10J x 18 light-alloy

BMW Z4 M40i

Transmission

Type of transmission	Eight-speed Steptronic transmission		
Gear ratios	I	:1	5.250
	II	:1	3.360
	III	:1	2.172
	IV	:1	1.720
	V	:1	1.316
	VI	:1	1.000
	VII	:1	0.822
	VIII	:1	0.640
	R	:1	3.712
Final drive		:1	3.154

Performance

Power-to-weight ratio (DIN)	kg/kW	6.1
Output per litre	kW/l	83.4
Acceleration 0–100 km/h	s	4.6
Top speed	km/h	250

BMW EfficientDynamics

BMW EfficientDynamics standard features	Brake Energy Regeneration with recuperation display, Electric Power Steering (EPS), Auto Start Stop function, Optimum Shift Indicator, ECO PRO mode with coasting function and Proactive Driving Assistant, BMW EfficientLightweight, optimised aerodynamic attributes, active air flap control, on-demand operation of ancillary units, map-regulated oil pump, differential with optimised warm-up behaviour
---	--

Fuel Consumption ECE

Urban	l/100 km	9.2 – 9.2
Extra-urban	l/100 km	6.3 – 5.9
Combined	l/100 km	7.4 – 7.1
CO ₂	g/km	168 – 162
Emission rating		Euro 6d-TEMP

Specifications apply to ACEA markets/data relevant to homologation applies in part only to Germany (weight)

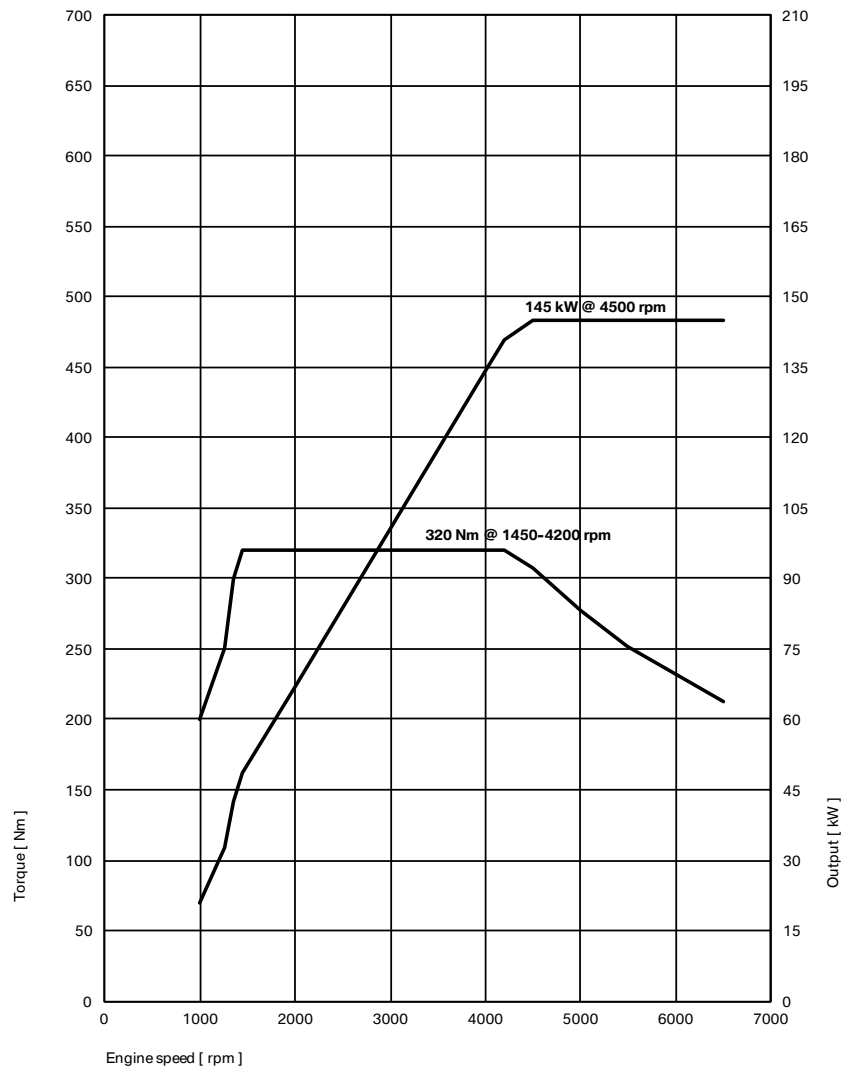
¹⁾ Oil change

The fuel consumption, CO₂ emissions and electric power consumption figures were determined according to the European Regulation (EC) 715/2007 in the version applicable. The figures refer to a vehicle with basic configuration in Germany. The range shown considers the different sizes of the selected wheels/tyres and the selected items of optional equipment, and may vary during configuration.

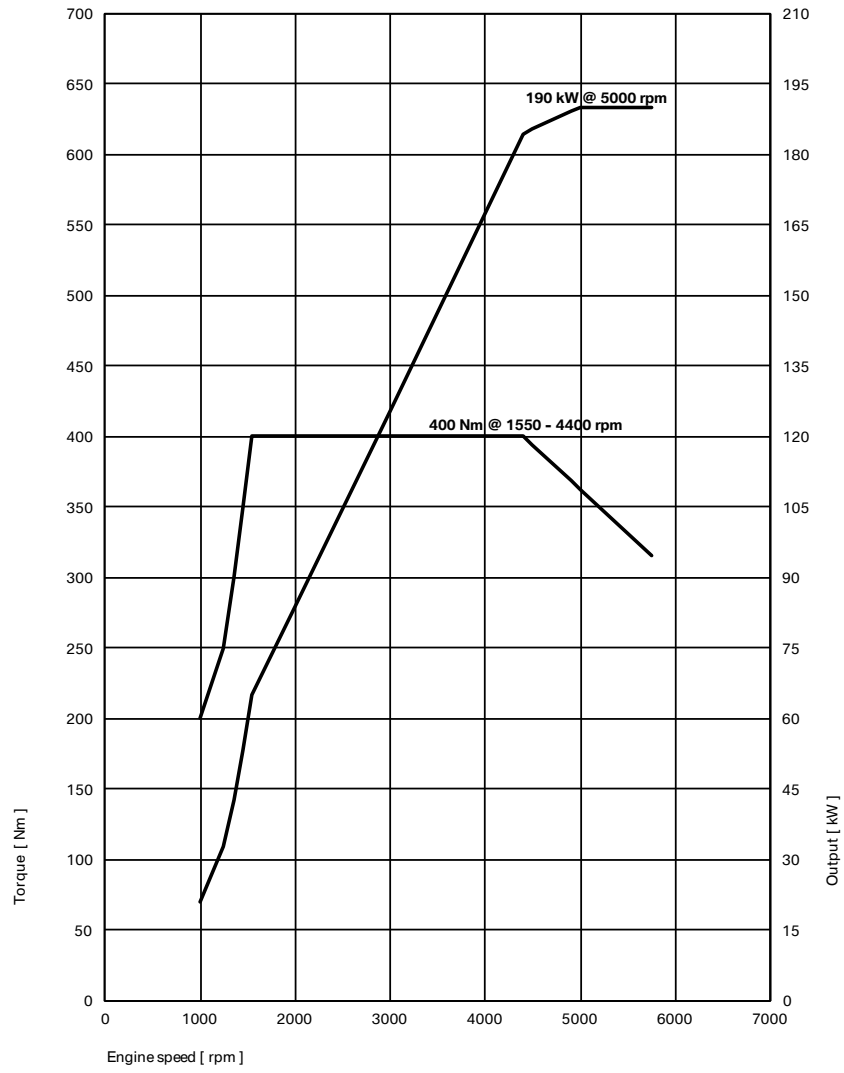
The values are already based on the new WLTP test cycle and are translated back into NEDC-equivalent values in order to ensure comparability between the vehicles. With respect to these vehicles, for vehicle-related taxes or other duties based (at least inter alia) on CO₂ emissions, the CO₂ values may differ from the values stated here (depending on national legislation).

Further information on official fuel consumption figures and specific CO₂ emission values of new passenger cars is included in the following guideline: 'Leitfaden über den Kraftstoffverbrauch, die CO₂-Emissionen und den Stromverbrauch neuer Personenkraftwagen' (Guide to the fuel economy, CO₂ emissions and electric power consumption of new passenger cars), which can be obtained free of charge from all dealerships, from Deutsche Automobil Treuhand GmbH (DAT), Hellmuth-Hirth-Str. 1, 73760 Ostfildern-Schramhausen and at <https://www.dat.de/co2/>.

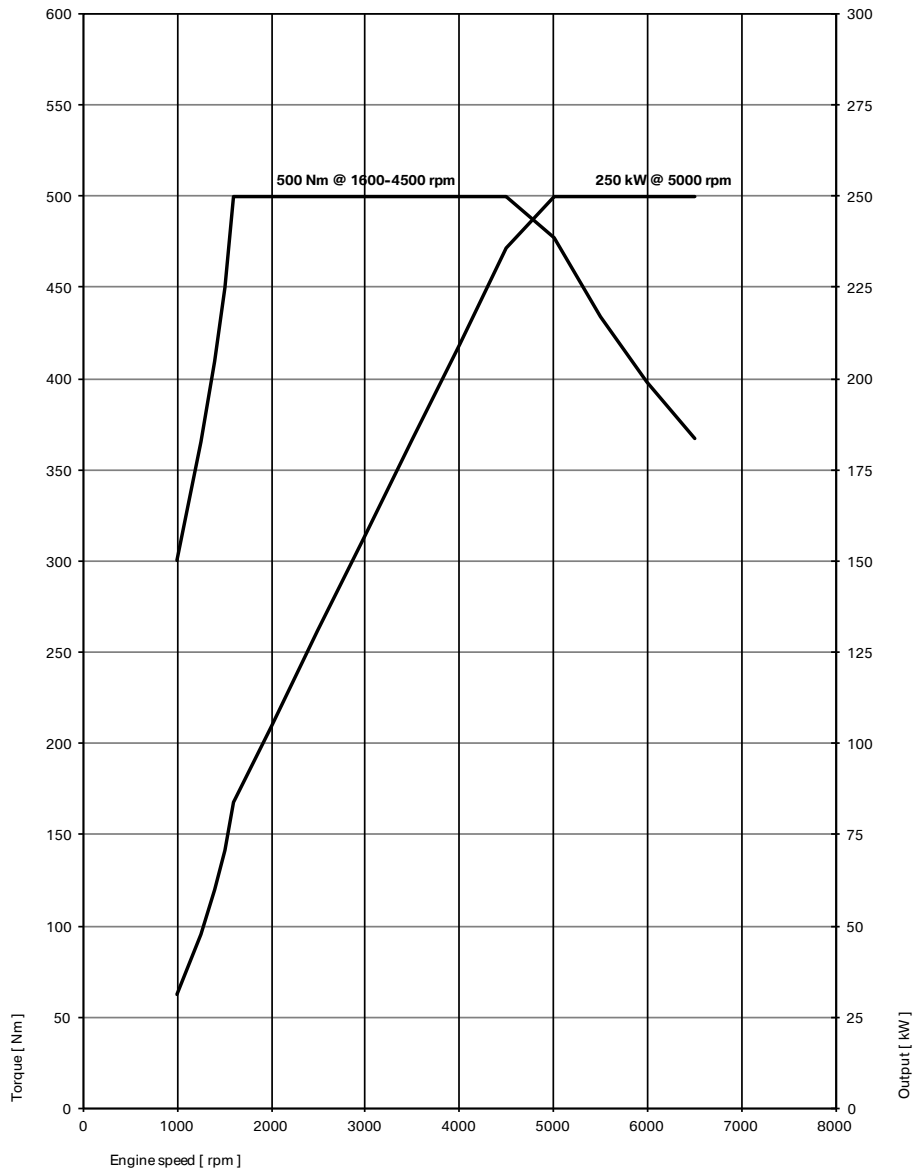
Output and torque diagrams. The new BMW Z4. Z4 sDrive20i.



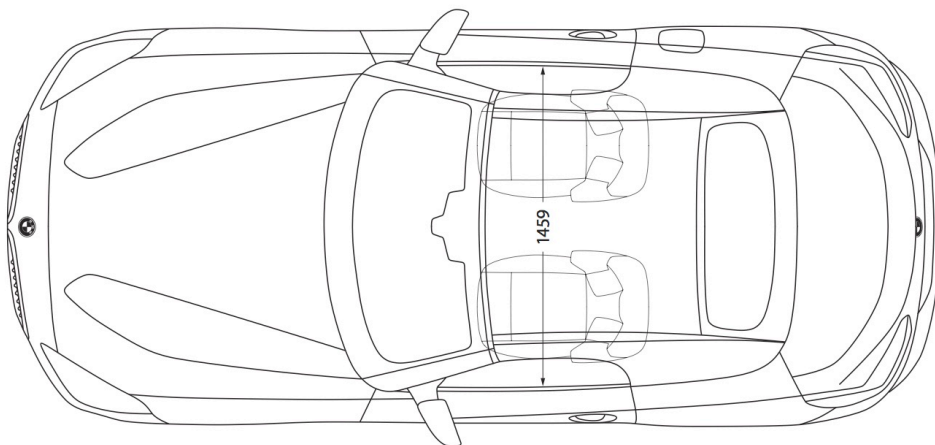
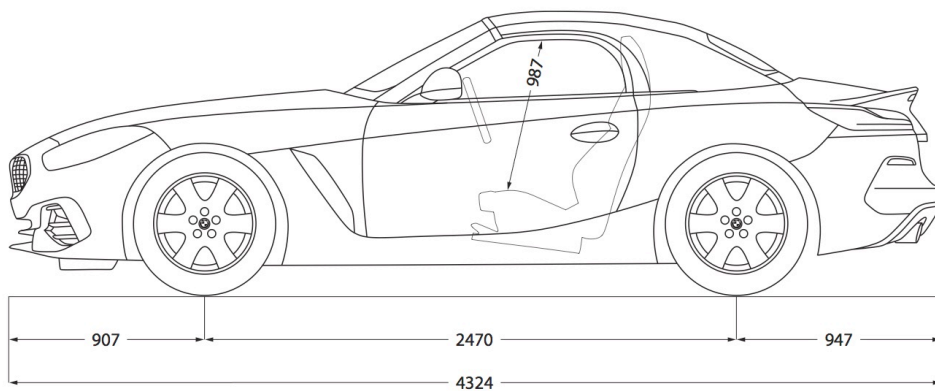
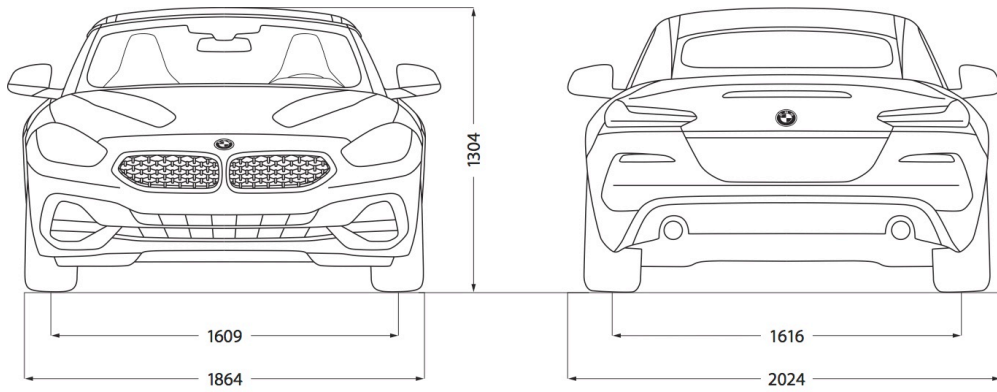
The new BMW Z4. Z4 sDrive30i.



The new BMW Z4. Z4 M40i.



Exterior and interior dimensions. The new BMW X5.



*dimensions in cm