

# Specifications.

## The BMW 2 Series Coupe.

### 218i.



<b>BMW 218i Coupe</b>		
<b>Body</b>		
No. of doors/seats		2 / 4
Length/width/height <sup>1)</sup> (unladen)	mm	4432 / 1774 / 1418
Wheelbase	mm	2690
Front/rear track	mm	1521 / 1556
Ground clearance	mm	140
Turning circle	m	10.9
Fuel tank capacity	approx. l	52
Cooling system incl. heater	l	7.7 (8.7)
Engine oil <sup>2)</sup>	l	4.25
Weight, unladen (DIN/EU)	kg	1345 / 1420 (1365 / 1440)
Max. load to DIN	kg	510
Max. permissible weight	kg	1850 (1870)
Max. axle load, front/rear	kg	875 / 1040
Max. trailer load (12%) braked/unbraked	kg	1300 / 680
Max. roof load/max towbar download	kg	75 / 75
Luggage comp. capacity	l	390
Air resistance	Cd x A	0.29 x 2.14
<b>Engine</b>		
Type/no. of cylinders/valves		in-line / 3 / 4
Engine technology		BMW TwinPower Turbo technology: turbocharger, direct injection system High Precision Injection, fully variable valve control (VALVETRONIC) and double VANOS variable camshaft timing
Effective capacity	cc	1499
Stroke/bore	mm	94.6 / 82.0
Compression ratio	:1	11.0
Fuel type		min. RON 91
Output	kW/hp	100 / 136
at rpm		4400
Torque	Nm	220
at rpm		1250–4300
<b>Electrical</b>		
Battery charge/location	Ah/–	90 (80) / luggage compartment
Alternator current/output	A/W	180 / 2520
<b>Driving Dynamics and Safety</b>		
Front suspension		Aluminium double-joint spring strut axle
Rear suspension		Five-link axle in lightweight steel construction with double elastic bearing
Front brakes		Single-piston floating-calliper disc brakes
Rear brakes		Single-piston floating-calliper disc brakes
Driving stability systems		Standard: DSC incl. ABS, ASC and DTC (Dynamic Traction Control), CBC Cornering Brake Control, DBC Dynamic Brake Control, brake drying function, fading compensation, start-off assistant
Safety equipment		Standard: driver and front-seat passenger airbags, driver and front-seat passenger side airbags, head airbags front and rear, three-point automatic seatbelts for all seats, seatbelt tensioners and seatbelt force limiters in front seats, crash sensors, Tyre Defect Indicator
Steering		Electromechanical rack-and-pinion power steering (EPS); optional: Servotronic function, variable sport steering
Overall steering ratio	:1	15.0
Front/rear tyres		205/55 R16 91V
Front/rear wheels		7J x 16 light-alloy

**BMW 218i Coupe**

**Transmission**

Type of gearbox	6-speed manual (optional: 8-speed Steptronic)		
Gear ratios	I	:1	4.552 (4.714)
	II	:1	2.548 (3.143)
	III	:1	1.659 (2.106)
	IV	:1	1.230 (1.667)
	V	:1	1.000 (1.285)
	VI	:1	0.830 (1.000)
	VII	:1	– (0.839)
	VIII	:1	– (0.667)
	R	:1	4.138 (3.295)
Final drive		:1	2.813 (3.077)

**Performance**

Weight-to-power ratio (DIN unladen)	kg/kW	13.5 (13.7)
Specific power output	kW/l	66.7
Acceleration 0–100 km/h	sec.	8.8 (8.9)
in 5th gear 80–120 km/h	sec.	11.2 (–)
Max. speed	km/h	210 (210)

**BMW EfficientDynamics**

BMW EfficientDynamics Features included as standard	Brake Energy Regeneration with recuperation display, electric power steering (EPS), Auto Start Stop function, Optimum Gearshift Indicator, ECO PRO mode with coasting function (automatic), intelligent lightweight construction, optimised aerodynamic attributes, on-demand operation of ancillary units, map-controlled oil pump, differential with optimised warm-up behaviour, tyres with reduced rolling resistance
---	---

**Fuel consumption (EU) <sup>3)</sup>**

with standard wheels and tyres		
Urban	l/100 km	6.3 (6.2)
Extra-urban	l/100 km	4.4 (4.4)
Total	l/100 km	5.1 (5.1)
CO <sub>2</sub> emissions	g/km	119 (118)
with 7J x 17" rims and 205/50 R17 tyres, with 7.5J x 17" rims and 225/45 R17 tyres and with winter tyres, with 7.5J x 17" front rims, 8J x 17" rear rims, 225/45 R17 front tyres and 245/40 R17 rear tyres		
Urban	l/100 km	6.7 (6.5)
Extra-urban	l/100 km	4.6 (4.6)
Combined	l/100 km	5.4 (5.3)
CO <sub>2</sub> emissions	g/km	125 (124)
with 7.5J x 18" front rims, 8J x 18" rear rims, 225/40 R18 front tyres and 245/35 R18 rear tyres		
Urban	l/100 km	6.9 (6.8)
Extra-urban	l/100 km	4.8 (4.8)
Total	l/100 km	5.6 (5.5)
CO <sub>2</sub> emissions	g/km	130 (129)
Emissions standard		EU6

Technical data valid for ACEA countries/Some permitted weights valid only for Germany  
Figures in brackets are for vehicles with automatic transmission

<sup>1)</sup> Height including roof aerial

<sup>2)</sup> Oil change volume

<sup>3)</sup> Fuel consumption and CO<sub>2</sub> emissions depend on the selected tyre format

# The BMW 2 Series Coupe. 220i, 230i.

5/2017  
Page 3

Valid from  
7/2017

		<b>BMW 220i Coupe</b>	<b>BMW 230i Coupe</b>
<b>Body</b>			
No. of doors/seats		2 / 4	2 / 4
Length/width/height <sup>1</sup> (unladen)	mm	4432 / 1774 / 1418	4432 / 1774 / 1418
Wheelbase	mm	2690	2690
Front/rear track	mm	1521 / 1556	1521 / 1556
Ground clearance	mm	140	140
Turning circle	m	10.9	10.9
Fuel tank capacity	approx. l	52	52
Engine oil <sup>2)</sup>	l	5.25	5.25
Weight, unladen (DIN/EU)	kg	1405 / 1480	1430 / 1505
Max. load to DIN	kg	510	510
Max. permissible weight	kg	1910	1935
Max. axle load, front/rear	kg	905 / 1065	915 / 1085
Max. trailer load (12%) braked/unbraked	kg	1500 / 680	1500 / 715
Max. roof load/max towbar download	kg	75 / 75	75 / 75
Luggage comp. capacity	l	390	390
Air resistance	Cd x A	0.29 x 2.14	0.29 x 2.14
<b>Engine</b>			
Type/no. of cylinders/valves		in-line / 4 / 4	in-line / 4 / 4
Engine technology		BMW TwinPower Turbo technology: twin-scroll turbocharger, direct injection system High Precision Injection, fully variable valve control (VALVETRONIC) and double VANOS variable camshaft timing	
Effective capacity	cc	1998	1998
Stroke/bore	mm	94.6 / 82.0	94.6 / 82.0
Compression ratio	:1	11.0	10.2
Fuel type		min RON 91	min RON 91
Output	kW/hp	135 / 184	185 / 252
at rpm		5000	5200
Torque	Nm	270	350
at rpm		1350 – 4600	1450 – 4800
<b>Electrical</b>			
Battery charge/location	Ah/–	80 / luggage compartment	80 / luggage compartment
<b>Driving Dynamics and Safety</b>			
Front suspension		Aluminium double-joint spring strut axle	
Rear suspension		Five-link axle in lightweight steel construction with double elastic bearing	
Front brakes		Single-piston floating-calliper disc brakes	
Rear brakes		Single-piston floating-calliper disc brakes	
Driving stability systems		Standard: DSC incl. ABS, ASC and DTC (Dynamic Traction Control), CBC Cornering Brake Control, DBC Dynamic Brake Control, brake drying function, fading compensation, start-off assistant	
Safety equipment		Standard: airbags for driver and front passenger, side airbags for driver and front passenger, head airbags front and rear, three-point inertia-reel seatbelts on all seats with belt tensioner and belt force limiter at the front, crash sensors, Tyre Defect Indicator	
Steering		Electromechanical rack-and-pinion power steering (EPS); optional: Servotronic function, variable sport steering	
Overall steering ratio	:1	15.0	15.0
Front/rear tyres		205/55 R16 91V	205/50 R17 89Y
Front/rear wheels		7J x 16 light-alloy	7J x 17 light-alloy

	<b>BMW 220i Coupe</b>		<b>BMW 230i Coupe</b>	
<b>Transmission</b>				
Type of gearbox	8-speed Steptronic			
Gear ratios	I	:1	5.000	5.000
	II	:1	3.200	3.200
	III	:1	2.143	2.143
	IV	:1	1.720	1.720
	V	:1	1.314	1.314
	VI	:1	1.000	1.000
	VII	:1	0.822	0.822
	VIII	:1	0.640	0.640
	R	:1	3.456	3.456
Final drive		:1	2.813	2.813
<b>Performance</b>				
Weight-to-power ratio (DIN unladen)		kg/kW	10.4	7.7
Specific power output		kW/l	67.6	92.6
Acceleration	0–100 km/h	sec	7.2	5.6
	in 5th gear	80–120 km/h	sec	–
Max. speed		km/h	230	250
<b>BMW EfficientDynamics</b>				
BMW EfficientDynamics Features included as standard	Brake Energy Regeneration with recuperation display, electric power steering (EPS), Auto Start Stop function, ECO PRO mode with coasting function, intelligent lightweight construction, optimised aerodynamic attributes, on-demand operation of ancillary units, map-controlled oil pump, differential with optimised warm-up behaviour, tyres with reduced rolling resistance			
<b>Fuel consumption (EU) <sup>3)</sup></b>				
with standard wheels and tyres: 7J x 16" rims and 205/55 R16 tyres (BMW 220i Coupe), 7J x 17" rims and 205/50 R17 tyres (BMW 230i Coupe)				
Urban		l/100 km	7.0	7.3
Extra-urban		l/100 km	4.7	4.8
Total		l/100 km	5.5	5.7
CO <sub>2</sub> emissions		g/km	127	131
with 7J x 17" rims and 205/50 R17 tyres (BMW 220i Coupe), with 7.5J x 17 rims and 225/45 R 17 tyres, with 7.5J x 17" front rims, 8J x 17" rear rims and 225/45 R17 front tyres, 245/40 R17 rear tyres				
Urban		l/100 km	7.4	7.4
Extra-urban		l/100 km	5.0	5.1
Total		l/100 km	5.9	5.9
CO <sub>2</sub> emissions		g/km	134	134
with 7.5J x 18" front rims, 8J x 18" rear rims and 225/40 R18 front tyres, 245/35 R18 rear tyres and with winter tyres				
Urban		l/100 km	7.4	7.4
Extra-urban		l/100 km	5.1	5.1
Total		l/100 km	5.9	5.9
CO <sub>2</sub> emissions		g/km	136	134
Emissions standard			EU6	EU6

Technical data valid for ACEA countries/Some permitted weights valid only for Germany

<sup>1)</sup> Height including roof aerial

<sup>2)</sup> Oil change volume

<sup>3)</sup> Fuel consumption and CO<sub>2</sub> emissions depend on the selected tyre format

# The BMW 2 Series Coupe. M240i.

<b>BMW M240i Coupe</b>		
<b>Body</b>		
No. of doors/seats		2 / 4
Length/width/height <sup>1)</sup> (unladen)	mm	4454 / 1774 / 1408
Wheelbase	mm	2690
Track, front/rear	mm	1516 / 1534
Ground clearance	mm	130
Turning circle	m	10.9
Tank capacity	approx. ltr	52
Engine oil <sup>2)</sup>	ltr	6.5
Weight, unladen, to DIN/EU	kg	1475 / 1550 (1490 / 1565)
Max. load to DIN	kg	510
Max. permissible weight	kg	1980 (1995)
Max. axle load, front/rear	kg	975 / 1100
Max. trailer load, (12%) braked/unbraked,	kg	- / -
Max. roof load/towbar download	kg	75 / -
Luggage comp. capacity	ltr	390
Air resistance	C <sub>d</sub> x A	0.33 x 2.14
<b>Engine</b>		
Config./No. of cyls./valves		in-line / 6 / 4
Engine technology		M Performance TwinPower Turbo technology with twin-scroll turbocharger, High Precision Direct Injection, fully variable valve control (VALVETRONIC) and double-VANOS variable camshaft control
Effective capacity	cc	2998
Stroke/bore	mm	94.6 / 82.0
Compression ratio	:1	11.0
Fuel grade		min. RON 91
Output	kW/hp	250 / 340
at	rpm	5500
Torque	Nm	500
at	rpm	1520 – 4500
<b>Electrical System</b>		
Battery/Installation	Ah/-	80 / luggage comp.
<b>Driving Dynamics and Safety</b>		
Suspension, front		Aluminium double-joint spring strut axle with M-specific elastokinematics
Suspension, rear		Five-link axle in lightweight steel construction with double elastic bearing
Brakes, front		Four-piston fixed-calliper disc brakes
Brakes, rear		Two-piston fixed-calliper disc brakes
Driving stability systems		Standard: DSC incl. ABS, ASC and DTC (Dynamic Traction Control), CBC (Cornering Brake Control), DBC (Dynamic Brake Control), Dry Braking function, Fading Compensation, Start-Off Assistant
Safety equipment		Standard: airbags for driver and front passenger, side airbags for driver and front passenger, head airbags front and rear, three-point inertia-reel seatbelts on all seats with belt tensioner and belt force limiter at the front, crash sensors, Tyre Defect Indicator
Steering		Electric Power Steering (EPS), variable sport steering
Steering ratio, overall	:1	14.5
Tyres, front/rear		225/40 ZR18 88Y/ 245/35 ZR 18 92Y XL
Rims, front/rear		7.5J x 18 light-alloy/ 8J x 18 light-alloy

**BMW M240i Coupe**

**Transmission**

Type of gearbox	8-speed Steptronic Sport transmission		
Gear ratios	I	:1	5.000
	II	:1	3.200
	III	:1	2.143
	IV	:1	1.720
	V	:1	1.314
	VI	:1	1.000
	VII	:1	0.822
	VIII	:1	0.640
	R	:1	3.456
Final drive		:1	2.813

**Performance**

Power-to-weight ratio (DIN)	kg/kW	6,0
Output per litre	kW/ltr	83.4
Acceleration 0–100 km/h	s	4.6
in 5th gear 80–120 km/h	s	–
Top speed	km/h	250

**BMW EfficientDynamics**

BMW EfficientDynamics, standard features	Brake Energy Regeneration with recuperation display, Electric Power Steering (EPS), Auto Start Stop function, Optimum Gearshift Indicator, ECO PRO mode with coasting function (automatic), intelligent lightweight construction, optimised aerodynamic attributes, on-demand operation of ancillary units, map-controlled oil pump, differential with optimised warm-up behaviour, tyres with reduced rolling resistance
--	---

**Fuel consumption EU**

Urban	ltr/100 km	9.4
Extra-urban	ltr/100 km	5.8
Combined	ltr/100 km	7.1
CO <sub>2</sub>	g/km	163
Emission rating		EU6

Specifications apply to ACEA markets; data relevant to homologation applicable in part only to Germany (weight)  
Figures in brackets apply to automatic transmission

<sup>1)</sup> Height including roof aerial  
<sup>2)</sup> Oil change volume

# The BMW 2 Series Coupe. M240i xDrive.

## BMW M240i xDrive Coupe

### Body

No. of doors/seats		2 / 4
Length/width/height <sup>1)</sup> (unladen)	mm	4454 / 1774 / 1408
Wheelbase	mm	2690
Track, front/rear	mm	1516 / 1534
Ground clearance	mm	130
Turning circle	m	11.3
Tank capacity	approx. ltr	52
Engine oil <sup>2)</sup>	ltr	6.5
Weight, unladen, to DINEU	kg	1540 / 1615
Max. load to DIN	kg	510
Max. permissible weight	kg	2050
Max. axle load, front/rear	kg	1025 / 1110
Max. trailer load, (12%) braked/unbraked,	kg	- / -
Max. roof load/towbar download	kg	75 / -
Luggage comp. capacity	ltr	390
Air resistance	C <sub>d</sub> x A	0.34 x 2.14

### Engine

Config./No. of cyls./valves		in-line / 6 / 4
Engine technology		M Performance TwinPower Turbo technology with twin-scroll turbocharger, High Precision Direct Injection, fully variable valve control (VALVETRONIC) and double-VANOS variable camshaft control
Effective capacity	cc	2998
Stroke/bore	mm	94.6 / 82.0
Compression ratio	:1	11.0
Fuel grade		min. RON 91
Output	kW/hp	250 / 340
at	rpm	5500
Torque	Nm	500
at	rpm	1520 – 4500

### Electrical System

Battery/Installation	Ah/-	80 / luggage comp.
----------------------	------	--------------------

### Driving Dynamics and Safety

Suspension, front		Aluminium double-joint spring strut axle with M-specific elastokinematics
Suspension, rear		Five-link axle in lightweight steel construction with double elastic bearing
Brakes, front		Four-piston fixed-calliper disc brakes
Brakes, rear		Two-piston fixed-calliper disc brakes
Driving stability systems		Standard: DSC incl. ABS, ASC and DTC (Dynamic Traction Control), CBC (Cornering Brake Control), DBC (Dynamic Brake Control), Dry Braking function, Fading Compensation, Start-Off Assistant, linked to xDrive all-wheel-drive system in Integrated Chassis Management (ICM)
Safety equipment		Standard: airbags for driver and front passenger, side airbags for driver and front passenger, head airbags front and rear, three-point inertia-reel seatbelts on all seats with belt tensioner and belt force limiter at the front, crash sensors, Tyre Defect Indicator
Steering		Electric Power Steering (EPS), variable sport steering
Steering ratio, overall	:1	14.6
Tyres, front/rear		225/40 ZR18 88Y/ 245/35 ZR 18 92Y XL
Rims, front/rear		7.5J x 18 light-alloy/ 8J x 18 light-alloy

---



---

**BMW M240i xDrive Coupe**

---

**Transmission**

Type of gearbox	8-speed Steptronic Sport transmission		
Gear ratios	I	:1	5.000
	II	:1	3.200
	III	:1	2.143
	IV	:1	1.720
	V	:1	1.314
	VI	:1	1.000
	VII	:1	0.822
	VIII	:1	0.640
	R	:1	3.456
Final drive		:1	2.813

**Performance**

Power-to-weight ratio (DIN)	kg/kW	6.2
Output per litre	kW/ltr	83.4
Acceleration 0–100 km/h	s	4.4
in 5th gear 80–120 km/h	s	–
Top speed	km/h	250

**BMW EfficientDynamics**

BMW EfficientDynamics, standard features	Brake Energy Regeneration with recuperation display, Electric Power Steering (EPS), Auto Start Stop function, Optimum Gearshift Indicator, ECO PRO mode with coasting function, intelligent lightweight construction, optimised aerodynamic attributes, on-demand operation of ancillary units, map-controlled oil pump, differential and transfer case with optimised warm-up behaviour, tyres with reduced rolling resistance
--	---

**Fuel consumption EU**

Urban	ltr/100 km	9.8
Extra-urban	ltr/100 km	6.0
Combined	ltr/100 km	7.4
CO <sub>2</sub>	g/km	169
Emission rating		EU6

Specifications apply to ACEA markets; data relevant to homologation applicable in part only to Germany (weight)

<sup>1)</sup> Height including roof aerial  
<sup>2)</sup> Oil change volume



# The BMW 2 Series Coupe. 218d.

5/2017  
Page 9

Valid from  
7/2017

<b>BMW 218d Coupe</b>		
<b>Body</b>		
No. of doors/seats		2 / 4
Length/width/height <sup>1)</sup> (unladen)	mm	4432 / 1774 / 1418
Wheelbase	mm	2690
Front/rear track	mm	1521 / 1556
Ground clearance	mm	140
Turning circle	m	10.9
Fuel tank capacity	approx. l	52
Engine oil <sup>2)</sup>	l	5.0
Weight, unladen (DIN/EU)	kg	1380 / 1455 (1400 / 1475)
Max. load to DIN	kg	510
Max. permissible weight	kg	1885 (1905)
Max. axle load, front/rear	kg	900 / 1055
Max. trailer load (12%) braked/unbraked	kg	1500 / 690
Max. roof load/max towbar download	kg	75 / 75
Luggage comp. capacity	l	390
Air resistance	Cd x A	0.29 x 2.14
<b>Engine</b>		
Type/no. of cylinders/valves		in-line / 4 / 4
Engine technology		BMW TwinPower Turbo technology: variable-geometry turbocharger, Common Rail direct injection with solenoid valve injectors (max. injection pressure: 2000 bar)
Effective capacity	cc	1995
Stroke/bore	mm	90.0 / 84.0
Compression ratio	:1	16.5
Fuel type		Diesel
Output	kW/hp	110 / 150
at rpm		4000
Torque	Nm	320
at rpm		1500 – 3000
<b>Electrical</b>		
Battery charge/location	Ah/-	80 (90) / luggage compartment
Alternator current/output	A/W	150 / 2100
<b>Driving Dynamics and Safety</b>		
Front suspension		Aluminium double-joint spring strut axle
Rear suspension		Five-link axle in lightweight steel construction with double elastic bearing
Front brakes		Single-piston floating-calliper disc brakes
Rear brakes		Single-piston floating-calliper disc brakes
Driving stability systems		Standard: DSC incl. ABS, ASC and DTC (Dynamic Traction Control), CBC Cornering Brake Control, DBC Dynamic Brake Control, brake drying function, fading compensation, start-off assistant
Safety equipment		Standard: driver and front-seat passenger airbags, driver and front-seat passenger side airbags, head airbags front and rear, three-point automatic seatbelts for all seats, seatbelt tensioners and seatbelt force limiters in front seats, crash sensors, Tyre Defect Indicator
Steering		Electromechanical rack-and-pinion power steering (EPS); optional: Servotronic function, variable sport steering
Overall steering ratio	:1	15.0
Front/rear tyres		205/55 R16 91V
Front/rear wheels		7J x 16 light-alloy

**BMW 218d Coupe**

**Transmission**

Type of gearbox	6-speed manual (optional: 8-speed Steptronic)		
Gear ratios	I	:1	4.002 (5.000)
	II	:1	2.109 (3.200)
	III	:1	1.396 (2.143)
	IV	:1	1.000 (1.720)
	V	:1	0.781 (1.314)
	VI	:1	0.668 (1.000)
	VII	:1	– (0.822)
	VIII	:1	– (0.640)
	R	:1	3.647 (3.456)
Final drive		:1	3.077 (2.647)

**Performance**

Weight-to-power ratio (DIN unladen)	kg/kW	12.5 (12.7)
Specific power output	kW/l	55.1
Acceleration 0–100 km/h	sec.	8.4 (8.2)
in 5th gear 80–120 km/h	sec.	9.7 (–)
Max. speed	km/h	213 (213)

**BMW EfficientDynamics**

BMW EfficientDynamics Features included as standard	Brake Energy Regeneration with recuperation display, electric power steering (EPS), Auto Start Stop function, Optimum Gearshift Indicator, ECO PRO mode with coasting function (automatic), intelligent lightweight construction, optimised aerodynamic attributes, on-demand operation of ancillary units, map-controlled oil pump, differential with optimised warm-up behaviour, tyres with reduced rolling resistance
---	---

**Fuel consumption (EU) <sup>3)</sup>**

with standard wheels and tyres		
Urban	l/100 km	4.8 (4.6)
Extra-urban	l/100 km	3.6 (3.4)
Total	l/100 km	4.0 (3.8)
CO <sub>2</sub> emissions	g/km	106 (101)
with 7J x 17" rims and 205/50 R17 tyres, with 7.5J x 17" rims and 225/45 R17 tyres and with winter tyres, with 7.5J x 17" front rims, 8J x 17" rear rims, 225/45 R17 front tyres and 245/40 R17 rear tyres		
Urban	l/100 km	5.1 (4.9)
Extra-urban	l/100 km	3.8 (3.6)
Combined	l/100 km	4.3 (4.1)
CO <sub>2</sub> emissions	g/km	113 (108)
with 7.5J x 18" front rims, 8J x 18" rear rims, 225/40 R18 front tyres and 245/35 R18 rear tyres		
Urban	l/100 km	5.3 (5.0)
Extra-urban	l/100 km	3.9 (3.8)
Total	l/100 km	4.4 (4.2)
CO <sub>2</sub> emissions	g/km	116 (111)
Emissions standard		EU6

Technical data valid for ACEA countries/Some permitted weights valid only for Germany  
Figures in brackets are for vehicles with automatic transmission

<sup>1)</sup> Height including roof aerial

<sup>2)</sup> Oil change volume

<sup>3)</sup> Fuel consumption and CO<sub>2</sub> emissions depend on the selected tyre format

# The BMW 2 Series Coupe. 220d, 220d xDrive.

		<b>BMW 220d Coupe</b>	<b>BMW 220d xDrive Coupe</b>
<b>Body</b>			
No. of doors/seats		2 / 4	2 / 4
Length/width/height <sup>1</sup> (unladen)	mm	4432 / 1774 / 1418	4432 / 1774 / 1418
Wheelbase	mm	2690	2690
Front/rear track	mm	1522 / 1556	1522 / 1556
Ground clearance	mm	140	140
Turning circle	m	10,9	11,3
Fuel tank capacity	approx. l	52	52
Engine oil <sup>2)</sup>	l	5,0	5,0
Weight, unladen (DIN/EU)	kg	1395 / 1470 (1415 / 1490)	1490 / 1565
Max. load to DIN	kg	510	510
Max. permissible weight	kg	1900 (1920)	1995
Max. axle load, front/rear	kg	905/ 1065 (920 / 1065)	960 / 1100
Max. trailer load (12%) braked/unbraked	kg	1500 / 725	1500 / 750
Max. roof load/max towbar download	kg	75 / 75	75 / 75
Luggage comp. capacity	l	390	390
Air resistance	Cd x A	0.28 x 2.14	0.29 x 2.14
<b>Engine</b>			
Type/no. of cylinders/valves		in-line / 4 / 4	in-line / 4 / 4
Engine technology		BMW TwinPower Turbo technology: variable-geometry turbocharger, Common Rail direct injection with solenoid valve injectors (max. injection pressure: 2000 bar)	
Effective capacity	cc	1995	1995
Stroke/bore	mm	90.0 /84.0	90.0 /84.0
Compression ratio	:1	16.5	16.5
Fuel type		Diesel	Diesel
Output	kW/hp	140 / 190	140 / 190
at rpm		4000	4000
Torque	Nm	400	400
at rpm		1750 – 2500	1750 – 2500
<b>Electrical</b>			
Battery charge/location	Ah/-	80 (90) / luggage compartment	90 / luggage compartment
<b>Driving Dynamics and Safety</b>			
Front suspension		Aluminium double-joint spring strut axle	
Rear suspension		Five-link axle in lightweight steel construction with double elastic bearing	
Front brakes		Single-piston floating-calliper disc brakes	
Rear brakes		Single-piston floating-calliper disc brakes	
Driving stability systems		Standard: DSC incl. ABS, ASC and DTC (Dynamic Traction Control), CBC Cornering Brake Control, DBC Dynamic Brake Control, brake drying function, fading compensation, start-off assistant; linked to xDrive all-wheel- drive system in Integrated Chassis Management (ICM) (220d xDrive)	
Safety equipment		Standard: airbags for driver and front passenger, side airbags for driver and front passenger, head airbags front and rear, three-point inertia-reel seatbelts on all seats with belt tensioner and belt force limiter at the front, crash sensors, Tyre Defect Indicator	
Steering		Electromechanical rack-and-pinion power steering (EPS); optional: Servotronic function, variable sport steering	
Overall steering ratio	:1	15.0	15.0
Front/rear tyres		205/55 R16 91V	205/55 R16 91V
Front/rear wheels		7J x 16 light-alloy	7J x 16 light-alloy

		<b>BMW 220d Coupe</b>	<b>BMW 220d xDrive Coupe</b>
<b>Transmission</b>			
Type of gearbox		6-speed manual (optional: 8-speed Steptronic)	8-speed Steptronic
Gear ratios	I :1	4.110 (5.000)	5.000
	II :1	2.247 (3.200)	3.200
	III :1	1.403 (2.143)	2.143
	IV :1	1.000 (1.720)	1.720
	V :1	0.802 (1.314)	1.314
	VI :1	0.659 (1.000)	1.000
	VII :1	– (0.822)	0.822
	VIII :1	– (0.640)	0.640
	R :1	3.727 (3.456)	3.456
Final drive	:1	3.077 (2.647)	2.647
<b>Performance</b>			
Weight-to-power ratio (DIN unladen)	kg/kW	10.0 (10.1)	10.6
Specific power output	kW/l	70.2	70.2
Acceleration 0–100 km/h	sec	7.1 (7.0)	6.9
in 5th gear 80–120 km/h	sec	7.2 (–)	–
Max. speed	km/h	230 (230)	225
<b>BMW EfficientDynamics</b>			
BMW EfficientDynamics Features included as standard		Brake Energy Regeneration with recuperation display, electric power steering (EPS), Auto Start Stop function, Optimum Gearshift Indicator, ECO PRO mode with coasting function (automatic), intelligent lightweight construction, optimised aerodynamic attributes, on-demand operation of ancillary units, map-controlled oil pump, differential and transfer case with optimised warm-up behaviour, tyres with reduced rolling resistance	
<b>Fuel consumption (EU) <sup>3)</sup></b>			
with standard wheels and tyres: 7J x 16" rims and 205/55 R16 tyres			
Urban	l/100 km	5.0 (4.6)	5.1
Extra-urban	l/100 km	3.5 (3.6)	3.9
Total	l/100 km	4.1 (4.0)	4.3
CO <sub>2</sub> emissions	g/km	107 (104)	113
with 7J x 17" rims and 205/50 R17 tyres, with 7.5J x 17 rims and 225/45 R 17 tyres, with 7.5J x 17" front rims, 8J x 17" rear rims and 225/45 R17 front tyres, 245/40 R17 rear tyres			
Urban	l/100 km	5.3 (4.8)	5.3
Extra-urban	l/100 km	3.7 (3.8)	4.1
Total	l/100 km	4.3 (4.1)	4.5
CO <sub>2</sub> emissions	g/km	112 (109)	119
with 7.5J x 18" front rims, 8J x 18" rear rims and 225/40 R18 front tyres, 245/35 R18 rear tyres and with winter tyres			
Urban	l/100 km	5.4 (5.0)	5.5
Extra-urban	l/100 km	3.8 (3.9)	4.3
Total	l/100 km	4.4 (4.3)	4.7
CO <sub>2</sub> emissions	g/km	115 (113)	124
Emissions standard		EU6	EU6

Technical data valid for ACEA countries/Some permitted weights valid only for Germany  
Figures in brackets are for vehicles with automatic transmission

<sup>1)</sup> Height including roof aerial

<sup>2)</sup> Oil change volume

<sup>3)</sup> Fuel consumption and CO<sub>2</sub> emissions depend on the selected tyre format

# The BMW 2 Series Coupe. 225d.

<b>BMW 225d Coupe</b>		
<b>Body</b>		
No. of doors/seats		2 / 4
Length/width/height <sup>1)</sup> (unladen)	mm	4432 / 1774 / 1418
Wheelbase	mm	2690
Front/rear track	mm	1521 / 1556
Ground clearance	mm	140
Turning circle	m	10.9
Fuel tank capacity	approx. l	52
Engine oil <sup>2)</sup>	l	5.0
Weight, unladen (DIN/EU)	kg	1430 / 1505
Max. load to DIN	kg	510
Max. permissible weight	kg	1940
Max. axle load, front/rear	kg	920 / 1080
Max. trailer load (12%) braked/unbraked	kg	1500 / 710
Max. roof load/max towbar download	kg	75 / 75
Luggage comp. capacity	l	390
Air resistance	Cd x A	0.29 x 2.14
<b>Engine</b>		
Type/no. of cylinders/valves		in-line / 4 / 4
Engine technology		BMW TwinPower Turbo technology: multi-stage charging, high and low pressure turbocharger with variable-geometry, Common Rail direct injection with solenoid valve injectors (max. injection pressure: 2500 bar)
Effective capacity	cc	1995
Stroke/bore	mm	90.0 / 84.0
Compression ratio	:1	16.5
Fuel type		Diesel
Output	kW/hp	165 / 224
at rpm		4400
Torque	Nm	450
at rpm		1500 – 3000
<b>Electrical</b>		
Battery charge/location	Ah/-	90 / luggage compartment
Alternator current/output	A/W	150 / 2100
<b>Driving Dynamics and Safety</b>		
Front suspension		Aluminium double-joint spring strut axle
Rear suspension		Five-link axle in lightweight steel construction with double elastic bearing
Front brakes		Single-piston floating-calliper disc brakes
Rear brakes		Single-piston floating-calliper disc brakes
Driving stability systems		Standard: DSC incl. ABS, ASC and DTC (Dynamic Traction Control), CBC Cornering Brake Control, DBC Dynamic Brake Control, brake drying function, fading compensation, start-off assistant
Safety equipment		Standard: driver and front-seat passenger airbags, driver and front-seat passenger side airbags, head airbags front and rear, three-point automatic seatbelts for all seats, seatbelt tensioners and seatbelt force limiters in front seats, crash sensors, Tyre Defect Indicator
Steering		Electromechanical rack-and-pinion power steering (EPS); optional: Servotronic function, variable sport steering
Overall steering ratio	:1	15.0
Front/rear tyres		205/55 R17 89Y
Front/rear wheels		7J x 17 light-alloy

**BMW 225d Coupe**

**Transmission**

Type of gearbox	8-speed Steptronic Sport		
Gear ratios	I	:1	5.000
	II	:1	3.200
	III	:1	2.143
	IV	:1	1.720
	V	:1	1.314
	VI	:1	1.000
	VII	:1	0.822
	VIII	:1	0.640
	R	:1	3.456
Final drive		:1	2.647

**Performance**

Weight-to-power ratio (DIN unladen)	kg/kW	8.7
Specific power output	kW/l	82,7
Acceleration 0–100 km/h	sec.	6.2
in 5th gear 80–120 km/h	sec.	–
Max. speed	km/h	243

**BMW EfficientDynamics**

BMW EfficientDynamics Features included as standard

Brake Energy Regeneration with recuperation display, electric power steering (EPS), Auto Start Stop function, ECO PRO mode with coasting function, intelligent lightweight construction, optimised aerodynamic attributes, on-demand operation of ancillary units, map-controlled oil pump, differential with optimised warm-up behaviour, tyres with reduced rolling resistance

**Fuel consumption (EU) <sup>3)</sup>**

with standard wheels and tyres		
Urban	l/100 km	5.1
Extra-urban	l/100 km	3.9
Total	l/100 km	4.3
CO <sub>2</sub> emissions	g/km	114
with 7.5J x 17" rims and 225/45 R17 tyres and with winter tyres, with 7.5J x 17" front rims, 8J x 17" rear rims, 225/45 R17 front tyres and 245/40 R17 rear tyres, with 7.5J x 18" front rims, 8J x 18" rear rims, 225/40 R18 front tyres and 245/35 R18 rear tyres		
Urban	l/100 km	5.4
Extra-urban	l/100 km	4.1
Combined	l/100 km	4.6
CO <sub>2</sub> emissions	g/km	121
Emissions standard		EU6

Technical data valid for ACEA countries/Some permitted weights valid only for Germany

<sup>1)</sup> Height including roof aerial

<sup>2)</sup> Oil change volume

<sup>3)</sup> Fuel consumption and CO<sub>2</sub> emissions depend on the selected tyre format

# The BMW 2 Series Convertible. 218i.

<b>BMW 218i Convertible</b>		
<b>Body</b>		
No. of doors/seats		2 / 4
Length/width/height (unladen)	mm	4432 / 1774 / 1413
Wheelbase	mm	2690
Front/rear track	mm	1521 / 1556
Ground clearance	mm	140
Turning circle	m	10.9
Fuel tank capacity	approx. l	52
Cooling system incl. heater	l	7.7 (8.7)
Engine oil <sup>1)</sup>	l	4.25
Weight, unladen (DIN/EU)	kg	1500 / 1575 (1520 / 1595)
Max. load to DIN	kg	470
Max. permissible weight	kg	1965 (1985)
Max. axle load, front/rear	kg	865 / 1160
Max. trailer load (12%) braked/unbraked	kg	1300 / 750
Max. roof load/max towbar download	kg	- / 75
Luggage comp. capacity	l	280 – 335
Air resistance	Cd x A	0.32 x 2.13
<b>Engine</b>		
Type/no. of cylinders/valves		in-line / 3 / 4
Engine technology		BMW TwinPower Turbo technology: turbocharger, direct injection system High Precision Injection, fully variable valve control (VALVETRONIC) and double VANOS variable camshaft timing
Effective capacity	cc	1499
Stroke/bore	mm	94.6 / 82.0
Compression ratio	:1	11.0
Fuel type		min. RON 91
Output	kW/hp	100 / 136
at rpm		4400
Torque	Nm	220
at rpm		1250–4300
<b>Electrical</b>		
Battery charge/location	Ah/-	90 (80) / luggage compartment
Alternator current/output	A/W	180 / 2520
<b>Driving Dynamics and Safety</b>		
Front suspension		Aluminium double-joint spring strut axle
Rear suspension		Five-link axle in lightweight steel construction with double elastic bearing
Front brakes		Single-piston floating-calliper disc brakes
Rear brakes		Single-piston floating-calliper disc brakes
Driving stability systems		Standard: DSC incl. ABS, ASC and DTC (Dynamic Traction Control), CBC Cornering Brake Control, DBC Dynamic Brake Control, brake drying function, fading compensation, start-off assistant
Safety equipment		Standard: driver and front-seat passenger airbags, driver and front-seat passenger side airbags with combined head airbags, three-point automatic seatbelts for all seats, seatbelt tensioners and seatbelt force limiters in front seats, crash sensors, Tyre Defect Indicator
Steering		Electromechanical rack-and-pinion power steering (EPS); optional: Servotronic function, variable sport steering
Overall steering ratio	:1	15.0
Front/rear tyres		205/55 R16 91H
Front/rear wheels		7J x 16 light-alloy

**BMW 218i Convertible**

**Transmission**

Type of gearbox	6-speed manual (optional: 8-speed Steptronic)		
Gear ratios	I	:1	4.552 (4.714)
	II	:1	2.548 (3.143)
	III	:1	1.659 (2.106)
	IV	:1	1.230 (1.667)
	V	:1	1.000 (1.285)
	VI	:1	0.830 (1.000)
	VII	:1	– (0.839)
	VIII	:1	– (0.667)
	R	:1	4.138 (3.295)
Final drive		:1	3.077 (3.077)

**Performance**

Weight-to-power ratio (DIN unladen)	kg/kW	15.0 (15.2)
Specific power output	kW/l	66.7
Acceleration 0–100 km/h	sec.	9.4 (9.6)
in 5th gear 80–120 km/h	sec.	11.4 (–)
Max. speed	km/h	207 (205)

**BMW EfficientDynamics**

BMW EfficientDynamics Features included as standard	Brake Energy Regeneration with recuperation display, electric power steering (EPS), Auto Start Stop function, Optimum Gearshift Indicator, ECO PRO mode with coasting function (automatic), intelligent lightweight construction, optimised aerodynamic attributes, on-demand operation of ancillary units, map-controlled oil pump, differential with optimised warm-up behaviour, tyres with reduced rolling resistance
---	---

**Fuel consumption (EU) <sup>2)</sup>**

with standard wheels and tyres		
Urban	l/100 km	6.9 (6.5)
Extra-urban	l/100 km	4.7 (4.6)
Total	l/100 km	5.5 (5.3)
CO <sub>2</sub> emissions	g/km	129 (124)
with 7J x 17" rims and 205/50 R17 tyres, with 7.5J x 17" rims and 225/45 R17 tyres and with winter tyres, with 7.5J x 17" front rims, 8J x 17" rear rims, 225/45 R17 front tyres and 245/40 R17 rear tyres		
Urban	l/100 km	7.3 (6.9)
Extra-urban	l/100 km	5.0 (4.9)
Combined	l/100 km	5.8 (5.6)
CO <sub>2</sub> emissions	g/km	136 (131)
with 7.5J x 18" front rims, 8J x 18" rear rims, 225/40 R18 front tyres and 245/35 R18 rear tyres		
Urban	l/100 km	7.5 (7.1)
Extra-urban	l/100 km	5.1 (5.0)
Total	l/100 km	6.0 (5.8)
CO <sub>2</sub> emissions	g/km	139 (134)
Emissions standard		EU6

Technical data valid for ACEA countries/Some permitted weights valid only for Germany  
Figures in brackets are for vehicles with automatic transmission

<sup>1)</sup> Oil change volume

<sup>2)</sup> Fuel consumption and CO<sub>2</sub> emissions depend on the selected tyre format



# The BMW 2 Series Convertible. 220i, 230i.

		<b>BMW 220i Convertible</b>	<b>BMW 230i Convertible</b>
<b>Body</b>			
No. of doors/seats		2 / 4	2 / 4
Length/width/height (unladen)	mm	4432 / 1774 / 1413	4432 / 1774 / 1413
Wheelbase	mm	2690	2690
Front/rear track	mm	1521 / 1556	1521 / 1556
Ground clearance	mm	140	140
Turning circle	m	10.9	10.9
Fuel tank capacity	approx. l	52	52
Engine oil <sup>1)</sup>	l	5.25	5.25
Weight, unladen (DIN/EU)	kg	1540 / 1615	1575 / 1650
Max. load to DIN	kg	470	440
Max. permissible weight	kg	2010	2020
Max. axle load, front/rear	kg	935 / 1145	935 / 1130
Max. trailer load (12%) braked/unbraked	kg	1500 / 750	1500 / 750
Max. roof load/max towbar download	kg	- / 75	- / 75
Luggage comp. capacity	l	280 - 335	280 - 335
Air resistance	Cd x A	0.32 x 2.13	0.33 x 2.13
<b>Engine</b>			
Type/no. of cylinders/valves		in-line / 4 / 4	in-line / 4 / 4
Engine technology		BMW TwinPower Turbo technology: twin-scroll turbocharger, direct injection system High Precision Injection, fully variable valve control (VALVETRONIC) and double VANOS variable camshaft timing	
Effective capacity	cc	1998	1998
Stroke/bore	mm	94.6 / 82.0	94.6 / 82.0
Compression ratio	:1	11.0	10.2
Fuel type		min RON 91	min RON 91
Output	kW/hp	135 / 184	185 / 252
at rpm		5000	5200
Torque	Nm	270	350
at rpm		1350 - 4600	1450 - 4800
<b>Electrical</b>			
Battery charge/location	Ah/-	80 / luggage compartment	80 / luggage compartment
<b>Driving Dynamics and Safety</b>			
Front suspension		Aluminium double-joint spring strut axle	
Rear suspension		Five-link axle in lightweight steel construction with double elastic bearing	
Front brakes		Single-piston floating-calliper disc brakes	
Rear brakes		Single-piston floating-calliper disc brakes	
Driving stability systems		Standard: DSC incl. ABS, ASC and DTC (Dynamic Traction Control), CBC Cornering Brake Control, DBC Dynamic Brake Control, brake drying function, fading compensation, start-off assistant	
Safety equipment		Standard: driver and front-seat passenger airbags, driver and front-seat passenger side airbags with combined head airbags, three-point automatic seatbelts for all seats, seatbelt tensioners and seatbelt force limiters in front seats, crash sensors, Tyre Defect Indicator	
Steering		Electromechanical rack-and-pinion power steering (EPS); optional: Servotronic function, variable sport steering	
Overall steering ratio	:1	15.0	15.0
Front/rear tyres		205/55 R16 91W	205/50 R17 89Y
Front/rear wheels		7J x 16 light-alloy	7J x 17 light-alloy

		<b>BMW 220i Convertible</b>	<b>BMW 230i Convertible</b>
<b>Transmission</b>			
Type of gearbox	8-speed Steptronic		
Gear ratios	I :1	5.000	5.000
	II :1	3.200	3.200
	III :1	2.143	2.143
	IV :1	1.720	1.720
	V :1	1.314	1.314
	VI :1	1.000	1.000
	VII :1	0.822	0.822
	VIII :1	0.640	0.640
	R :1	3.456	3.456
Final drive	:1	2.813	2.813
<b>Performance</b>			
Weight-to-power ratio (DIN unladen)	kg/kW	11.4	8.5
Specific power output	kW/l	67.6	92.6
Acceleration 0–100 km/h	sec	7.7	5.9
in 5th gear 80–120 km/h	sec	–	–
Max. speed	km/h	226	250
<b>BMW EfficientDynamics</b>			
BMW EfficientDynamics Features included as standard	Brake Energy Regeneration with recuperation display, electric power steering (EPS), Auto Start Stop function, ECO PRO mode with coasting function, intelligent lightweight construction, optimised aerodynamic attributes, on-demand operation of ancillary units, map-controlled oil pump, differential with optimised warm-up behaviour, tyres with reduced rolling resistance		
<b>Fuel consumption (EU) <sup>2)</sup></b>			
with standard wheels and tyres: 7J x 16" rims and 205/55 R16 tyres (BMW 220i Convertible), 7J x 17" rims and 205/50 R17 tyres (BMW 230i Convertible)			
Urban	l/100 km	7.2	7.5
Extra-urban	l/100 km	5.0	5.2
Total	l/100 km	5.8	6.0
CO <sub>2</sub> emissions	g/km	133	138
with 7J x 17" rims and 205/50 R17 tyres (BMW 220i Convertible), with 7.5J x 17 rims and 225/45 R 17 tyres, with 7.5J x 17" front rims, 8J x 17" rear rims and 225/45 R17 front tyres, 245/40 R17 rear tyres			
Urban	l/100 km	7.5	7.7
Extra-urban	l/100 km	5.2	5.4
Total	l/100 km	6.1	6.2
CO <sub>2</sub> emissions	g/km	139	143
with 7.5J x 18" front rims, 8J x 18" rear rims and 225/40 R18 front tyres, 245/35 R18 rear tyres and with winter tyres			
Urban	l/100 km	7.6	7.7
Extra-urban	l/100 km	5.4	5.4
Total	l/100 km	6.2	6.2
CO <sub>2</sub> emissions	g/km	141	143
Emissions standard		EU6	EU6

Technical data valid for ACEA countries/Some permitted weights valid only for Germany

<sup>1)</sup> Oil change volume

<sup>2)</sup> Fuel consumption and CO<sub>2</sub> emissions depend on the selected tyre format

# The BMW 2 Series Convertible. M240i.

<b>BMW M240i Convertible</b>		
<b>Body</b>		
No. of doors/seats		2 / 4
Length/width/height (unladen)	mm	4454 / 1774 / 1403
Wheelbase	mm	2690
Front/rear track	mm	1516 / 1534
Ground clearance	mm	130
Turning circle	m	10.9
Fuel tank capacity	approx. l	52
Engine oil <sup>1)</sup>	l	6.5
Weight, unladen (DIN/EU)	kg	1620 / 1695 (1635 / 1710)
Max. load to DIN	kg	430
Max. permissible weight	kg	2045 (2060)
Max. axle load, front/rear	kg	975 / 1145
Max. trailer load (12%) braked/unbraked	kg	- / -
Max. roof load/max towbar download	kg	- / -
Luggage comp. capacity	l	280 – 335
Air resistance	Cd x A	0.36 x 2.13
<b>Engine</b>		
Type/no. of cylinders/valves		in-line / 6 / 4
Engine technology		M Performance TwinPower Turbo technology: twin-scroll turbocharger, direct injection system High Precision Injection, fully variable valve control (VALVETRONIC) and double VANOS variable camshaft timing
Effective capacity	cc	2998
Stroke/bore	mm	94.6 / 82.0
Compression ratio	:1	11.0
Fuel type		min. RON 91
Output	kW/hp	250 / 340
at rpm		5500
Torque	Nm	500
at rpm		1520 – 4500
<b>Electrical</b>		
Battery charge/location	Ah/-	80 / luggage compartment
<b>Driving Dynamics and Safety</b>		
Front suspension		Aluminium double-joint spring strut axle with M-specific elastokinematics
Rear suspension		Five-link axle in lightweight steel construction with double elastic bearing
Front brakes		Four-piston fixed-calliper disc brakes
Rear brakes		Two-piston fixed-calliper disc brakes
Driving stability systems		Standard: DSC incl. ABS, ASC and DTC (Dynamic Traction Control), CBC Cornering Brake Control, DBC Dynamic Brake Control, brake drying function, fading compensation, start-off assistant
Safety equipment		Standard: driver and front-seat passenger airbags, driver and front-seat passenger side airbags with combined head airbags, three-point automatic seatbelts for all seats, seatbelt tensioners and seatbelt force limiters in front seats, crash sensors, Tyre Defect Indicator
Steering		Electromechanical rack-and-pinion power steering (EPS), variable sport steering
Overall steering ratio	:1	14.5
Front/rear tyres		225/40 ZR18 88Y 245/35 ZR 18 92Y XL
Front/rear wheels		7.5J x 18 light-alloy/ 8J x 18 light-alloy

---



---

**BMW M240i Convertible**

---

**Transmission**

Type of gearbox	8-speed Steptronic Sport transmission		
Gear ratios	I	:1	5.000
	II	:1	3.200
	III	:1	2.143
	IV	:1	1.720
	V	:1	1.314
	VI	:1	1.000
	VII	:1	0.822
	VIII	:1	0.640
	R	:1	3.456
Final drive		:1	2.813

**Performance**

Weight-to-power ratio (DIN unladen)		kg/kW	6.5
Specific power output		kW/l	83.4
Acceleration	0–100 km/h	sec.	4.7
in 5th gear	80–120 km/h	sec.	–
Max. speed		km/h	250

**BMW EfficientDynamics**

BMW EfficientDynamics Features included as standard	Brake Energy Regeneration with recuperation display, electric power steering (EPS), Auto Start Stop function, Optimum Gearshift Indicator, ECO PRO mode with coasting function (automatic), intelligent lightweight construction, optimised aerodynamic attributes, on-demand operation of ancillary units, map-controlled oil pump, differential with optimised warm-up behaviour, tyres with reduced rolling resistance
---	---

**Fuel consumption (EU)**

Urban	l/100 km	9.8
Extra-urban	l/100 km	6.0
Total	l/100 km	7.4
CO <sub>2</sub> emissions	g/km	169
Emissions standard		EU6

Technical data valid for ACEA countries/Some permitted weights valid only for Germany  
Figures in brackets are for vehicles with automatic transmission

<sup>1)</sup> Oil change volume

# The BMW 2 Series Convertible. M240i xDrive.

## BMW M240i xDrive Convertible

### Body

No. of doors/seats		2 / 4
Length/width/height (unladen)	mm	4454 / 1774 / 1403
Wheelbase	mm	2690
Front/rear track	mm	1516 / 1534
Ground clearance	mm	130
Turning circle	m	11.3
Fuel tank capacity	approx. l	52
Engine oil <sup>1)</sup>	l	6.5
Weight, unladen (DIN/EU)	kg	1685 / 1760
Max. load to DIN	kg	430
Max. permissible weight	kg	2110
Max. axle load, front/rear	kg	1020 / 1145
Max. trailer load (12%) braked/unbraked	kg	- / -
Max. roof load/max towbar download	kg	- / -
Luggage comp. capacity	l	280 – 335
Air resistance	Cd x A	0.37 x 2.13

### Engine

Type/no. of cylinders/valves		in-line / 6 / 4
Engine technology		M Performance TwinPower Turbo technology: twin-scroll turbocharger, direct injection system High Precision Injection, fully variable valve control (VALVETRONIC) and double VANOS variable camshaft timing
Effective capacity	cc	2998
Stroke/bore	mm	94.6 / 82.0
Compression ratio	:1	11.0
Fuel type		min. RON 91
Output	kW/hp	250 / 340
at rpm		5500
Torque	Nm	500
at rpm		1520 – 4500

### Electrical

Battery charge/location	Ah/-	80 / luggage compartment
-------------------------	------	--------------------------

### Driving Dynamics and Safety

Front suspension		Aluminium double-joint spring strut axle with M-specific elastokinematics
Rear suspension		Five-link axle in lightweight steel construction with double elastic bearing
Front brakes		Four-piston fixed-calliper disc brakes
Rear brakes		Two-piston fixed-calliper disc brakes
Driving stability systems		Standard: DSC incl. ABS, ASC and DTC (Dynamic Traction Control), CBC Cornering Brake Control, DBC Dynamic Brake Control, brake drying function, fading compensation, start-off assistant; linked to xDrive all-wheel-drive system in Integrated Chassis Management (ICM)
Safety equipment		Standard: driver and front-seat passenger airbags, driver and front-seat passenger side airbags with combined head airbags, three-point automatic seatbelts for all seats, seatbelt tensioners and seatbelt force limiters in front seats, crash sensors, Tyre Defect Indicator
Steering		Electromechanical rack-and-pinion power steering (EPS), variable sport steering
Overall steering ratio	:1	14.6
Front/rear tyres		225/40 ZR18 88Y 245/35 ZR 18 92Y XL
Front/rear wheels		7.5J x 18 light-alloy/ 8J x 18 light-alloy

**BMW M240i xDrive Convertible**

**Transmission**

Type of gearbox	8-speed Steptronic Sport transmission		
Gear ratios	I	:1	5.000
	II	:1	3.200
	III	:1	2.143
	IV	:1	1.720
	V	:1	1.314
	VI	:1	1.000
	VII	:1	0.822
	VIII	:1	0.640
	R	:1	3.456
Final drive		:1	2.813

**Performance**

Weight-to-power ratio (DIN unladen)	kg/kW	6.7
Specific power output	kW/l	83.4
Acceleration 0–100 km/h	sec.	4.6
in 5th gear 80–120 km/h	sec.	–
Max. speed	km/h	250

**BMW EfficientDynamics**

BMW EfficientDynamics Features included as standard	Brake Energy Regeneration with recuperation display, electric power steering (EPS), Auto Start Stop function, Optimum Gearshift Indicator, ECO PRO mode with coasting function, intelligent lightweight construction, optimised aerodynamic attributes, on-demand operation of ancillary units, map-controlled oil pump, differential and transfer case with optimised warm-up behaviour, tyres with reduced rolling resistance
---	---

**Fuel consumption (EU)**

Urban	l/100 km	10.4
Extra-urban	l/100 km	6.3
Total	l/100 km	7.8
CO <sub>2</sub> emissions	g/km	179
Emissions standard		EU6

Technical data valid for ACEA countries/Some permitted weights valid only for Germany

<sup>1)</sup> Oil change volume

# The BMW 2 Series Convertible. 218d.

<b>BMW 218d Convertible</b>		
<b>Body</b>		
No. of doors/seats		2 / 4
Length/width/height (unladen)	mm	4432 / 1774 / 1413
Wheelbase	mm	2690
Front/rear track	mm	1521 / 1556
Ground clearance	mm	140
Turning circle	m	10.9
Fuel tank capacity	approx. l	52
Cooling system incl. heater	l	7.0
Engine oil <sup>1)</sup>	l	5.0
Weight, unladen (DIN/EU)	kg	1525 / 1600 (1540 / 1615)
Max. load to DIN	kg	470
Max. permissible weight	kg	1990 (2010)
Max. axle load, front/rear	kg	900 / 1160
Max. trailer load (12%) braked/unbraked	kg	1500 / 750
Max. roof load/max towbar download	kg	- / 75
Luggage comp. capacity	l	280 – 335
Air resistance	Cd x A	0.31 x 2.13
<b>Engine</b>		
Type/no. of cylinders/valves		in-line / 43/ 4
Engine technology		BMW TwinPower Turbo technology: variable-geometry turbocharger, common-rail direct fuel injection with magnetic valve injectors, max. injection pressure: 2000 bar
Effective capacity	cc	1995
Stroke/bore	mm	90.0 / 84.0
Compression ratio	:1	16.5
Fuel type		Diesel
Output	kW/hp	110 / 150
at rpm		4000
Torque	Nm	320
at rpm		1500 – 3000
<b>Electrical</b>		
Battery charge/location	Ah/-	80 (90) / luggage compartment
Alternator current/output	A/W	150 / 2100
<b>Driving Dynamics and Safety</b>		
Front suspension		Aluminium double-joint spring strut axle
Rear suspension		Five-link axle in lightweight steel construction with double elastic bearing
Front brakes		Single-piston floating-calliper disc brakes
Rear brakes		Single-piston floating-calliper disc brakes
Driving stability systems		Standard: DSC incl. ABS, ASC and DTC (Dynamic Traction Control), CBC Cornering Brake Control, DBC Dynamic Brake Control, brake drying function, fading compensation, start-off assistant
Safety equipment		Standard: driver and front-seat passenger airbags, driver and front-seat passenger side airbags with combined head airbags, three-point automatic seatbelts for all seats, seatbelt tensioners and seatbelt force limiters in front seats, crash sensors, Tyre Defect Indicator
Steering		Electromechanical rack-and-pinion power steering (EPS); optional: Servotronic function, variable sport steering
Overall steering ratio	:1	15.0
Front/rear tyres		205/55 R16 91V
Front/rear wheels		7J x 16 light-alloy

**BMW 218d Convertible**

**Transmission**

Type of gearbox	6-speed manual (optional: 8-speed Steptronic)		
Gear ratios	I	:1	4.002 (5.000)
	II	:1	2.109 (3.200)
	III	:1	1.396 (2.143)
	IV	:1	1.000 (1.720)
	V	:1	0.781 (1.314)
	VI	:1	0.668 (1.000)
	VII	:1	– (0.822)
	VIII	:1	– (0.640)
	R	:1	3.647 (3.456)
Final drive		:1	3.231 (2.647)

**Performance**

Weight-to-power ratio (DIN unladen)		kg/kW	13.9 (14.0)	
Specific power output		kW/l	55.1	
Acceleration	0–100 km/h	sec.	8.9 (8.7)	
	in 5th gear	80–120 km/h	sec.	10.3 (–)
Max. speed		km/h	208 (205)	

**BMW EfficientDynamics**

BMW EfficientDynamics Features included as standard	Brake Energy Regeneration with recuperation display, electric power steering (EPS), Auto Start Stop function, Optimum Gearshift Indicator, ECO PRO mode with coasting function (automatic), intelligent lightweight construction, optimised aerodynamic attributes, on-demand operation of ancillary units, map-controlled oil pump, differential with optimised warm-up behaviour, tyres with reduced rolling resistance
---	---

**Fuel consumption (EU) <sup>2)</sup>**

with standard wheels and tyres		
Urban	l/100 km	5.1 (4.9)
Extra-urban	l/100 km	3.9 (3.6)
Total	l/100 km	4.3 (4.1)
CO <sub>2</sub> emissions	g/km	114 (108)
with 7J x 17" rims and 205/50 R17 tyres, with 7.5J x 17" rims and 225/45 R17 tyres and with winter tyres, with 7.5J x 17" front rims, 8J x 17" rear rims, 225/45 R17 front tyres and 245/40 R17 rear tyres		
Urban	l/100 km	5.5 (5.3)
Extra-urban	l/100 km	4.1 (3.9)
Combined	l/100 km	4.6 (4.4)
CO <sub>2</sub> emissions	g/km	122 (116)
with 7.5J x 18" front rims, 8J x 18" rear rims, 225/40 R18 front tyres and 245/35 R18 rear tyres		
Urban	l/100 km	5.6 (5.4)
Extra-urban	l/100 km	4.2 (3.9)
Total	l/100 km	4.7 (4.5)
CO <sub>2</sub> emissions	g/km	124 (118)
Emissions standard		EU6

Technical data valid for ACEA countries/Some permitted weights valid only for Germany  
Figures in brackets are for vehicles with automatic transmission

<sup>1)</sup> Oil change volume

<sup>2)</sup> Fuel consumption and CO<sub>2</sub> emissions depend on the selected tyre format



# The BMW 2 Series Convertible. 220d.

<b>BMW 220d Convertible</b>		
<b>Body</b>		
No. of doors/seats		2 / 4
Length/width/height (unladen)	mm	4432 / 1774 / 1413
Wheelbase	mm	2690
Front/rear track	mm	1521 / 1556
Ground clearance	mm	140
Turning circle	m	10.9
Fuel tank capacity	approx. l	52
Cooling system incl. heater	l	7.0
Engine oil <sup>1)</sup>	l	5.0
Weight, unladen (DIN/EU)	kg	1540 / 1615 (1560 / 1635)
Max. load to DIN	kg	470
Max. permissible weight	kg	2005 (2025)
Max. axle load, front/rear	kg	910 / 1155
Max. trailer load (12%) braked/unbraked	kg	1500 / 750
Max. roof load/max towbar download	kg	- / 75
Luggage comp. capacity	l	280 – 335
Air resistance	Cd x A	0.31 x 2.13
<b>Engine</b>		
Type/no. of cylinders/valves		in-line / 4 / 4
Engine technology		BMW TwinPower Turbo technology: variable-geometry turbocharger, common-rail direct fuel injection with magnetic valve injectors, max. injection pressure: 2000 bar
Effective capacity	cc	1995
Stroke/bore	mm	90.0 / 84.0
Compression ratio	:1	16.5
Fuel type		Diesel
Output	kW/hp	140 / 190
at rpm		4000
Torque	Nm	400
at rpm		1750 – 2500
<b>Electrical</b>		
Battery charge/location	Ah/-	80 (90) / luggage compartment
Alternator current/output	A/W	150 / 2100
<b>Driving Dynamics and Safety</b>		
Front suspension		Aluminium double-joint spring strut axle
Rear suspension		Five-link axle in lightweight steel construction with double elastic bearing
Front brakes		Single-piston floating-calliper disc brakes
Rear brakes		Single-piston floating-calliper disc brakes
Driving stability systems		Standard: DSC incl. ABS, ASC and DTC (Dynamic Traction Control), CBC Cornering Brake Control, DBC Dynamic Brake Control, brake drying function, fading compensation, start-off assistant
Safety equipment		Standard: driver and front-seat passenger airbags, driver and front-seat passenger side airbags with combined head airbags, three-point automatic seatbelts for all seats, seatbelt tensioners and seatbelt force limiters in front seats, crash sensors, Tyre Defect Indicator
Steering		Electromechanical rack-and-pinion power steering (EPS); optional: Servotronic function, variable sport steering
Overall steering ratio	:1	15.0
Front/rear tyres		205/55 R16 91W
Front/rear wheels		7J x 16 light-alloy

**BMW 220d Convertible**

**Transmission**

Type of gearbox	6-speed manual (optional: 8-speed Steptronic)		
Gear ratios	I	:1	4.110 (5.000)
	II	:1	2.247 (3.200)
	III	:1	1.403 (2.143)
	IV	:1	1.000 (1.720)
	V	:1	0.802 (1.314)
	VI	:1	0.659 (1.000)
	VII	:1	- (0.822)
	VIII	:1	- (0.640)
	R	:1	3.727 (3.456)
Final drive		:1	3.231 (2.647)

**Performance**

Weight-to-power ratio (DIN unladen)	kg/kW	11.0 (11.1)
Specific power output	kW/l	70.2
Acceleration 0–100 km/h	sec.	7.5 (7.4)
in 5th gear 80–120 km/h	sec.	7.7 (-)
Max. speed	km/h	225 (225)

**BMW EfficientDynamics**

BMW EfficientDynamics Features included as standard	Brake Energy Regeneration with recuperation display, electric power steering (EPS), Auto Start Stop function, Optimum Gearshift Indicator, ECO PRO mode with coasting function (automatic), intelligent lightweight construction, optimised aerodynamic attributes, on-demand operation of ancillary units, map-controlled oil pump, differential with optimised warm-up behaviour, tyres with reduced rolling resistance
---	---

**Fuel consumption (EU) <sup>2)</sup>**

with standard wheels and tyres		
Urban	l/100 km	5.5 (4.7)
Extra-urban	l/100 km	3.8 (3.7)
Total	l/100 km	4.4 (4.1)
CO <sub>2</sub> emissions	g/km	116 (108)
with 7J x 17" rims and 205/50 R17 tyres, with 7.5J x 17" rims and 225/45 R17 tyres and with winter tyres, with 7.5J x 17" front rims, 8J x 17" rear rims, 225/45 R17 front tyres and 245/40 R17 rear tyres		
Urban	l/100 km	5.7 (5.0)
Extra-urban	l/100 km	4.0 (3.9)
Combined	l/100 km	4.6 (4.3)
CO <sub>2</sub> emissions	g/km	121 (113)
with 7.5J x 18" front rims, 8J x 18" rear rims, 225/40 R18 front tyres and 245/35 R18 rear tyres		
Urban	l/100 km	5.8 (5.2)
Extra-urban	l/100 km	4.1 (4.0)
Total	l/100 km	4.7 (4.4)
CO <sub>2</sub> emissions	g/km	124 (117)
Emissions standard		EU6

Technical data valid for ACEA countries/Some permitted weights valid only for Germany  
Figures in brackets are for vehicles with automatic transmission

<sup>1)</sup> Oil change volume

<sup>2)</sup> Fuel consumption and CO<sub>2</sub> emissions depend on the selected tyre format

# The BMW 2 Series Convertible. 225d.

<b>BMW 225d Convertible</b>		
<b>Body</b>		
No. of doors/seats		2 / 4
Length/width/height (unladen)	mm	4432 / 1774 / 1413
Wheelbase	mm	2690
Front/rear track	mm	1521 / 1556
Ground clearance	mm	140
Turning circle	m	10.9
Fuel tank capacity	approx. l	52
Engine oil <sup>1)</sup>	l	5.0
Weight, unladen (DIN/EU)	kg	1580 / 1655
Max. load to DIN	kg	440
Max. permissible weight	kg	2025
Max. axle load, front/rear	kg	925 / 1145
Max. trailer load (12%) braked/unbraked	kg	1500 / 750
Max. roof load/max towbar download	kg	- / 75
Luggage comp. capacity	l	280 – 335
Air resistance	Cd x A	0.32 x 2.13
<b>Engine</b>		
Type/no. of cylinders/valves		in-line / 4 / 4
Engine technology		BMW TwinPower Turbo technology: multi-stage charging, high and low pressure turbocharger with variable-geometry, Common Rail direct injection with solenoid valve injectors (max. injection pressure: 2500 bar)
Effective capacity	cc	1995
Stroke/bore	mm	90.0 / 84.0
Compression ratio	:1	16.5
Fuel type		Diesel
Output	kW/hp	165 / 224
at rpm		4400
Torque	Nm	450
at rpm		1500 – 3000
<b>Electrical</b>		
Battery charge/location	Ah/-	90 / luggage compartment
Alternator current/output	A/W	150 / 2100
<b>Driving Dynamics and Safety</b>		
Front suspension		Aluminium double-joint spring strut axle
Rear suspension		Five-link axle in lightweight steel construction with double elastic bearing
Front brakes		Single-piston floating-calliper disc brakes
Rear brakes		Single-piston floating-calliper disc brakes
Driving stability systems		Standard: DSC incl. ABS, ASC and DTC (Dynamic Traction Control), CBC Cornering Brake Control, DBC Dynamic Brake Control, brake drying function, fading compensation, start-off assistant
Safety equipment		Standard: driver and front-seat passenger airbags, driver and front-seat passenger side airbags with combined head airbags, three-point automatic seatbelts for all seats, seatbelt tensioners and seatbelt force limiters in front seats, crash sensors, Tyre Defect Indicator
Steering		Electromechanical rack-and-pinion power steering (EPS); optional: Servotronic function, variable sport steering
Overall steering ratio	:1	15.0
Front/rear tyres		205/50 R17 89Y
Front/rear wheels		7J x 17 light-alloy

**BMW 225d Convertible**

**Transmission**

Type of gearbox	8-speed Steptronic Sport		
Gear ratios	I	:1	5.000
	II	:1	3.200
	III	:1	2.143
	IV	:1	1.720
	V	:1	1.314
	VI	:1	1.000
	VII	:1	0.822
	VIII	:1	0.640
	R	:1	3.456
Final drive		:1	2.647

**Performance**

Weight-to-power ratio (DIN unladen)		kg/kW	9.6
Specific power output		kW/l	82.7
Acceleration	0–100 km/h	sec.	6.4
in 5th gear	80–120 km/h	sec.	–
Max. speed		km/h	235

**BMW EfficientDynamics**

BMW EfficientDynamics Features included as standard	Brake Energy Regeneration with recuperation display, electric power steering (EPS), Auto Start Stop function, ECO PRO mode with coasting function, intelligent lightweight construction, optimised aerodynamic attributes, on-demand operation of ancillary units, map-controlled oil pump, differential with optimised warm-up behaviour, tyres with reduced rolling resistance
---	--

**Fuel consumption (EU) <sup>2)</sup>**

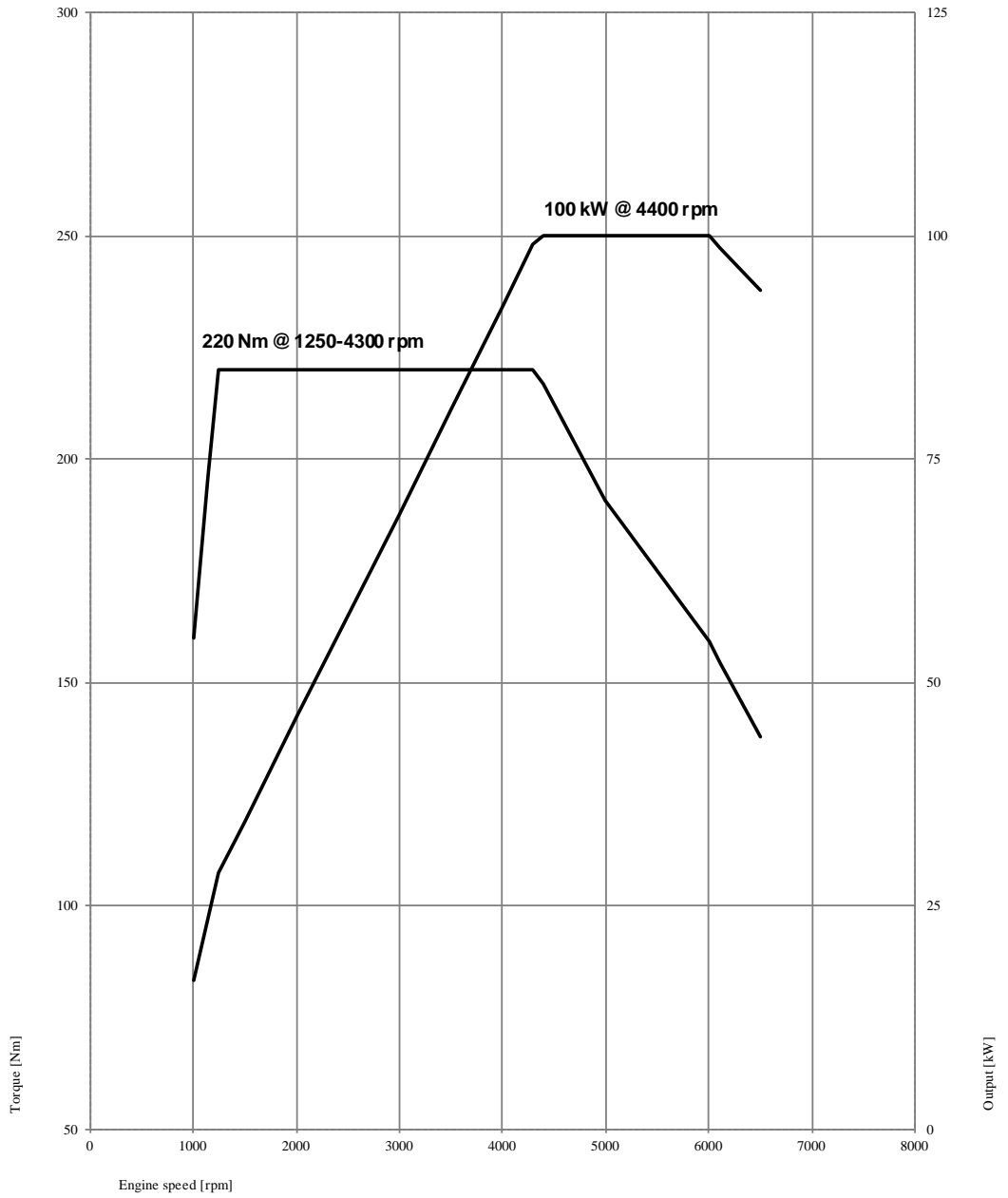
with standard wheels and tyres			
Urban	l/100 km		5.4
Extra-urban	l/100 km		4.1
Total	l/100 km		4.6
CO <sub>2</sub> emissions	g/km		121
with 7.5J x 17" rims and 225/45 R17 tyres and with winter tyres, with 7.5J x 17" front rims, 8J x 17" rear rims, 225/45 R17 front tyres and 245/40 R17 rear tyres			
Urban	l/100 km		5.7
Extra-urban	l/100 km		4.4
Combined	l/100 km		4.9
CO <sub>2</sub> emissions	g/km		128
with 7.5J x 18" front rims, 8J x 18" rear rims, 225/40 R18 front tyres and 245/35 R18 rear tyres			
Urban	l/100 km		5.7
Extra-urban	l/100 km		4.4
Total	l/100 km		4.9
CO <sub>2</sub> emissions	g/km		128
Emissions standard			EU6

Technical data valid for ACEA countries/Some permitted weights valid only for Germany  
Figures in brackets are for vehicles with automatic transmission

<sup>1)</sup> Oil change volume

<sup>2)</sup> Fuel consumption and CO<sub>2</sub> emissions depend on the selected tyre format

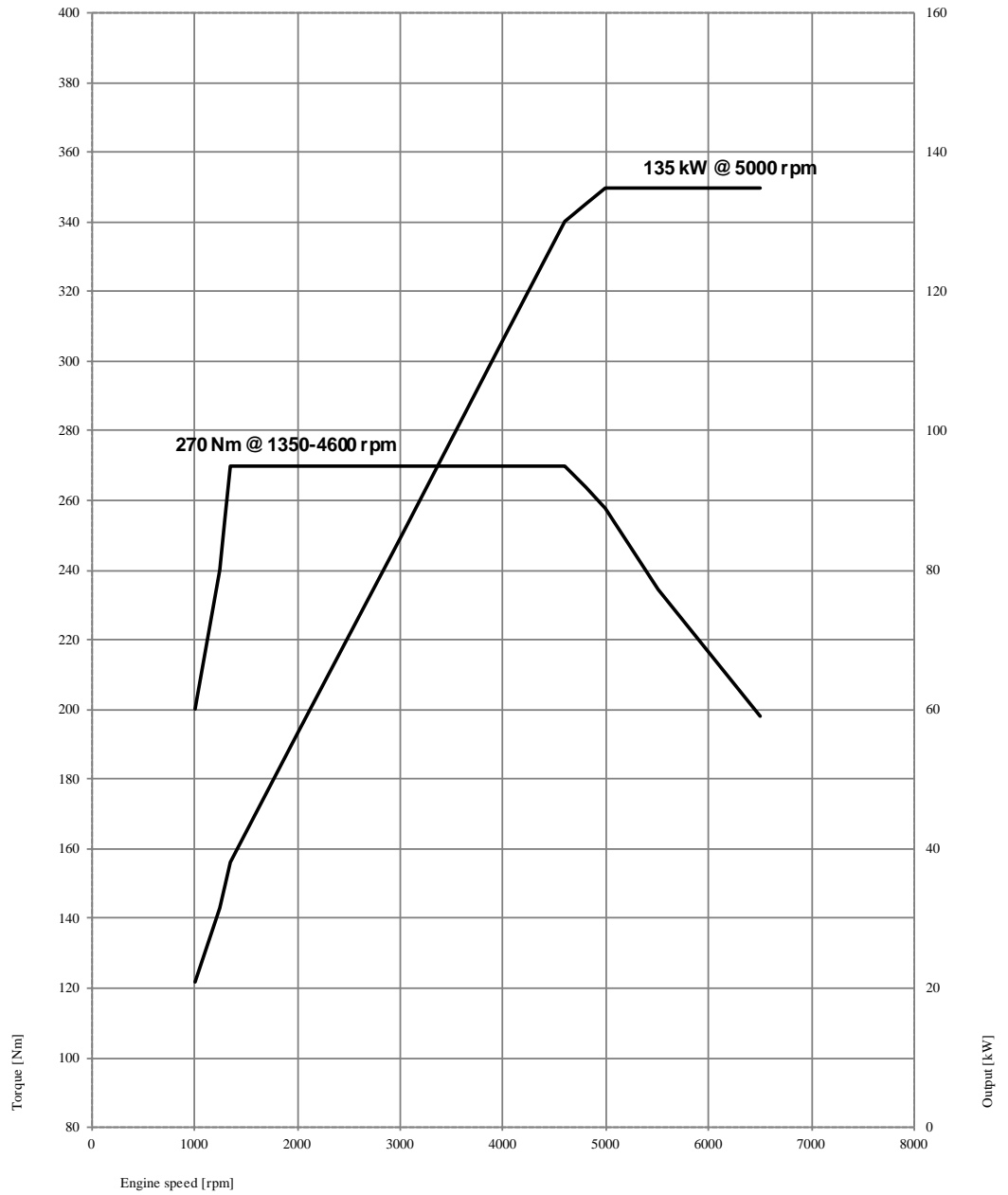
# Output and torque diagrams. The BMW 2 Series. 218i.



# The BMW 2 Series. 220i.

5/2017  
Page 30

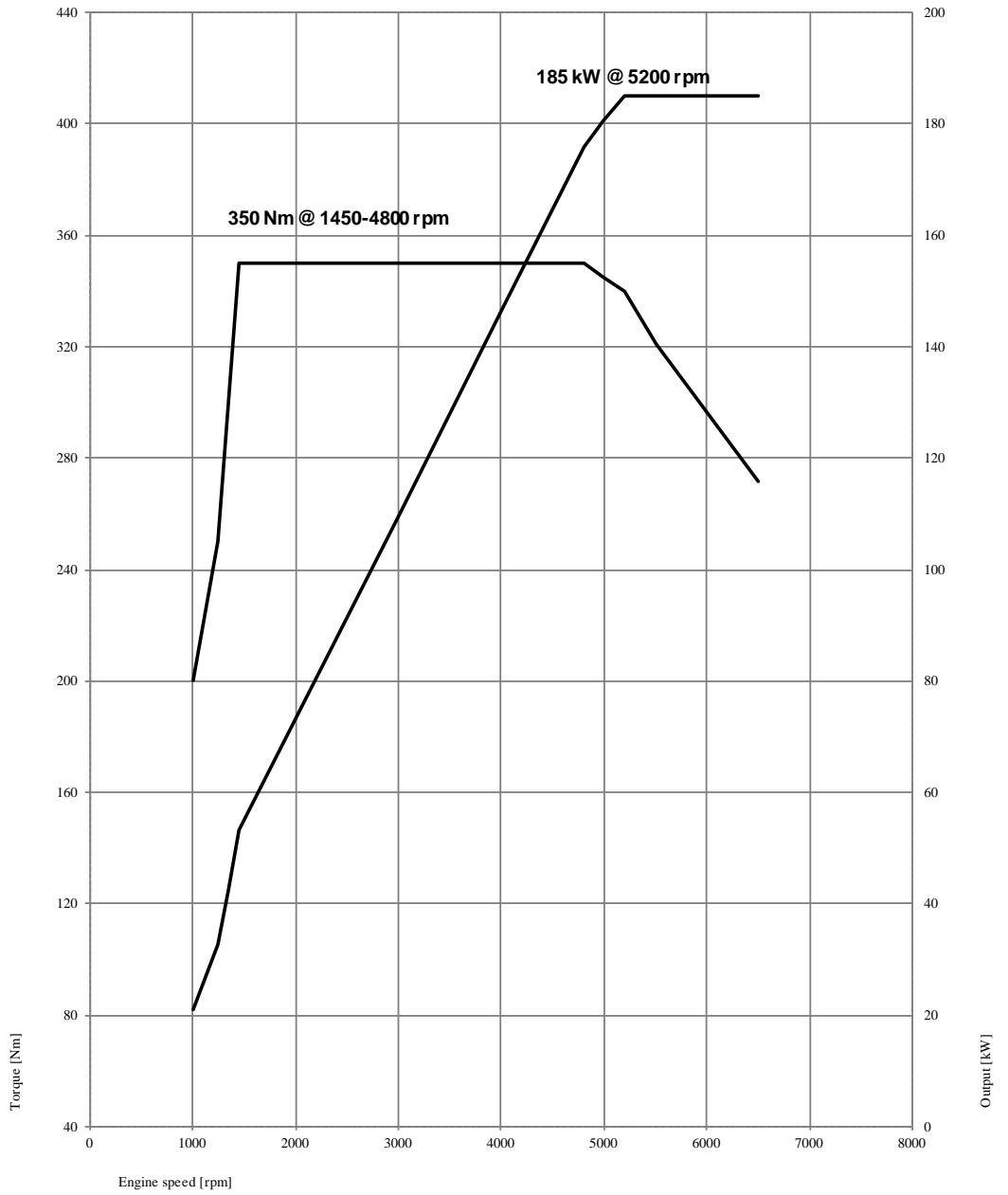
Valid from  
7/2017



# The BMW 2 Series. 230i.

5/2017  
Page 31

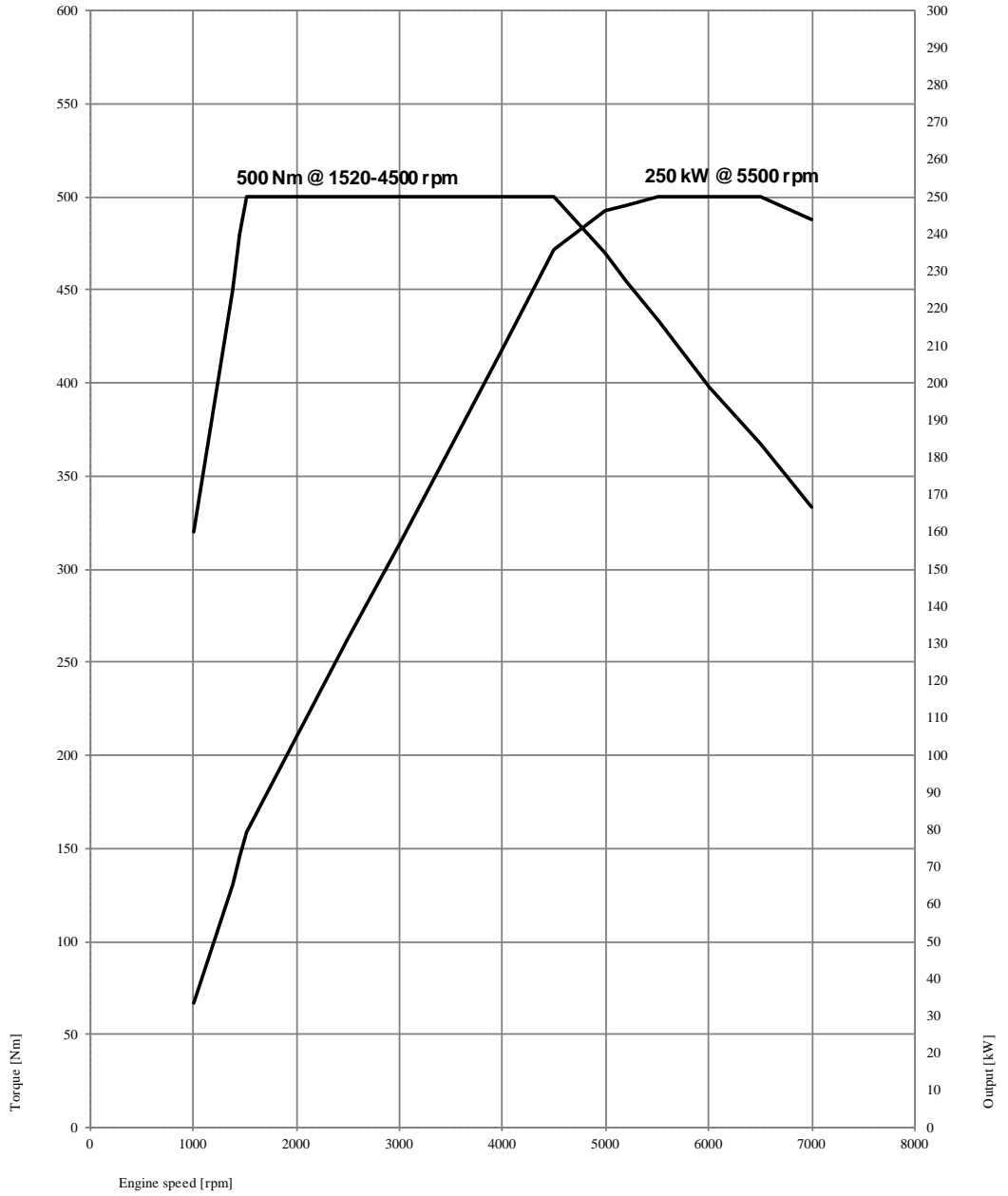
Valid from  
7/2017



# The BMW 2 Series. M240i, M240i xDrive.

5/2017  
Page 32

Valid from  
7/2017

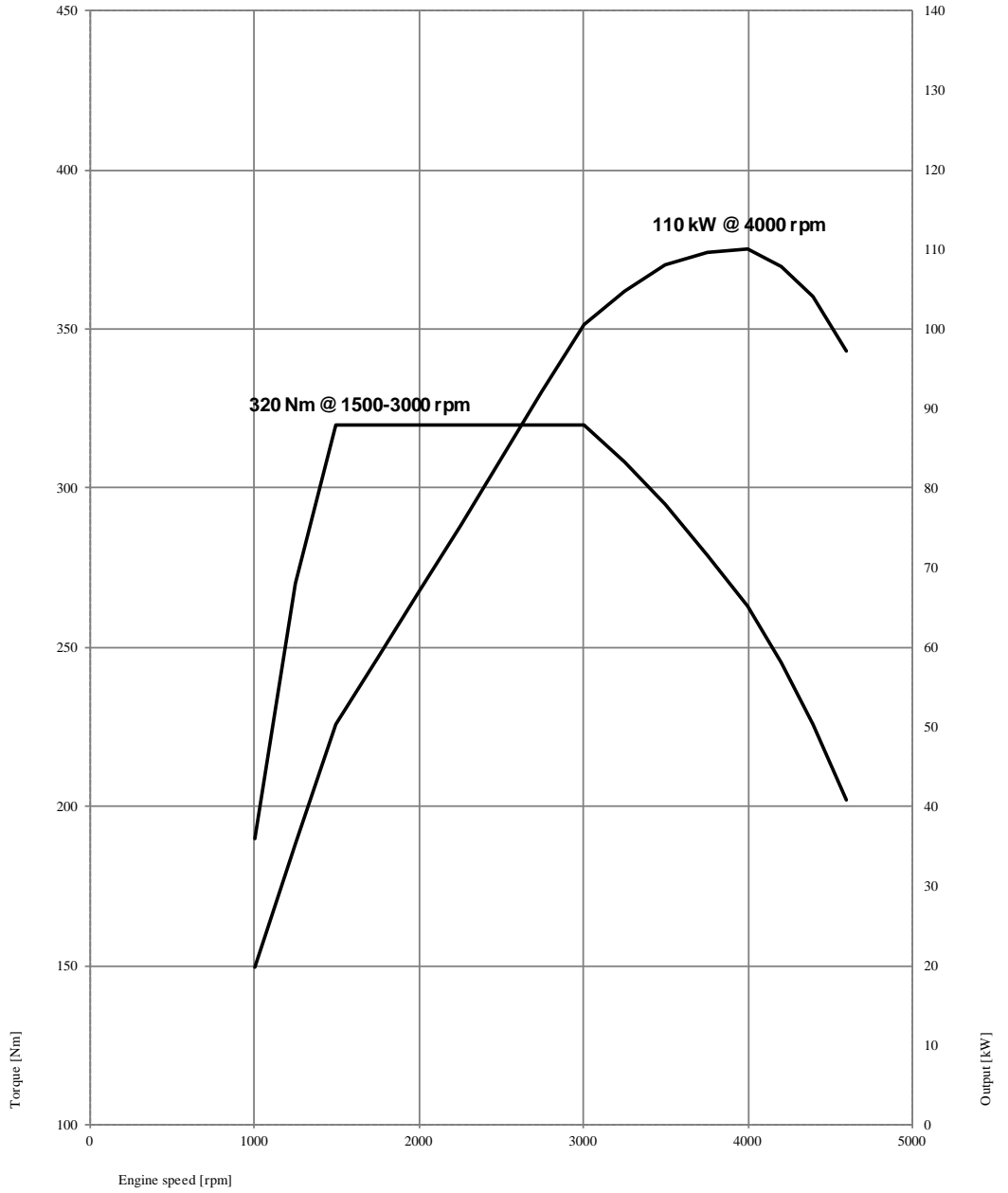




# The BMW 2 Series. 218d.

5/2017  
Page 33

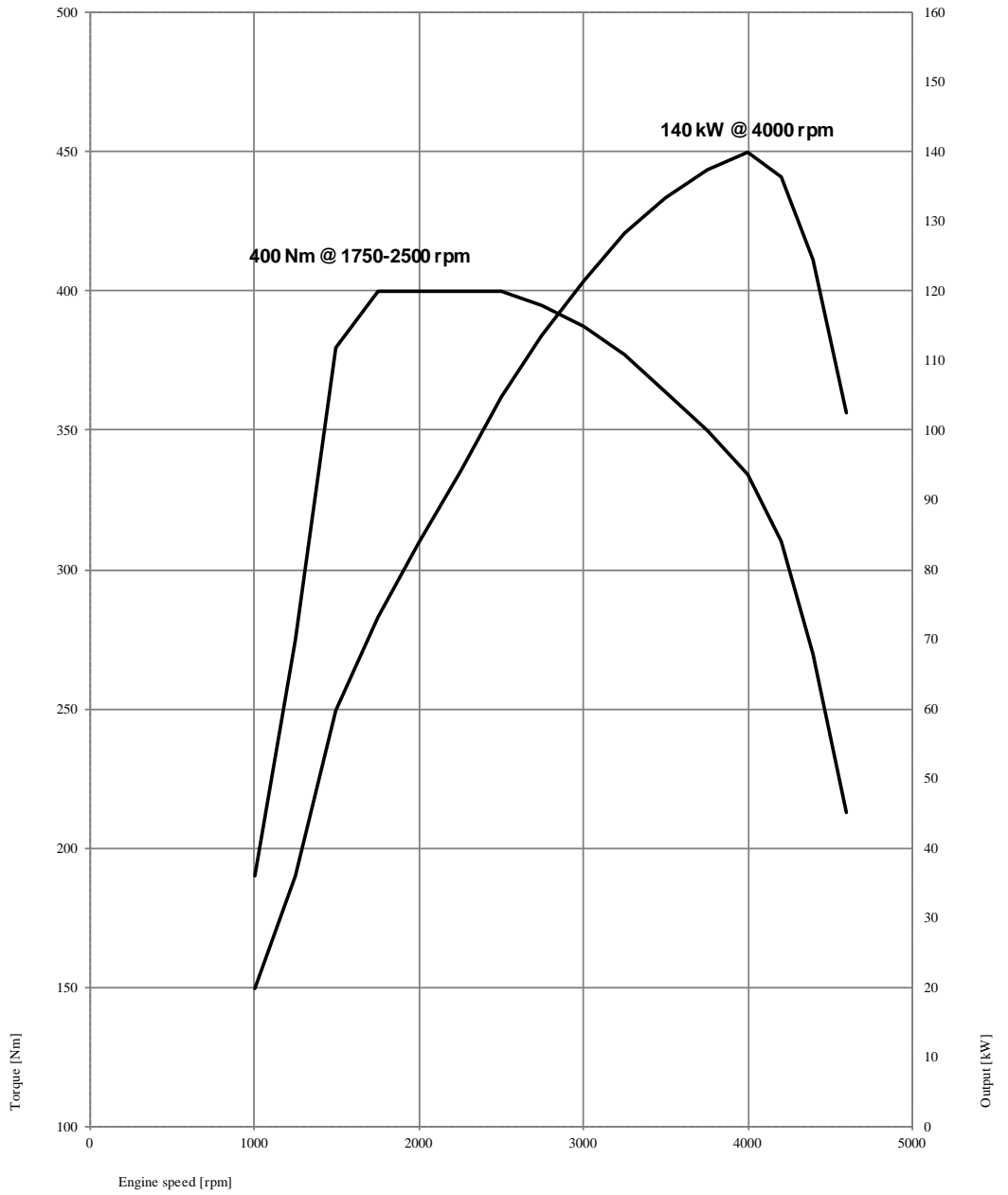
Valid from  
7/2017



# The BMW 2 Series. 220d, 220d xDrive.

5/2017  
Page 34

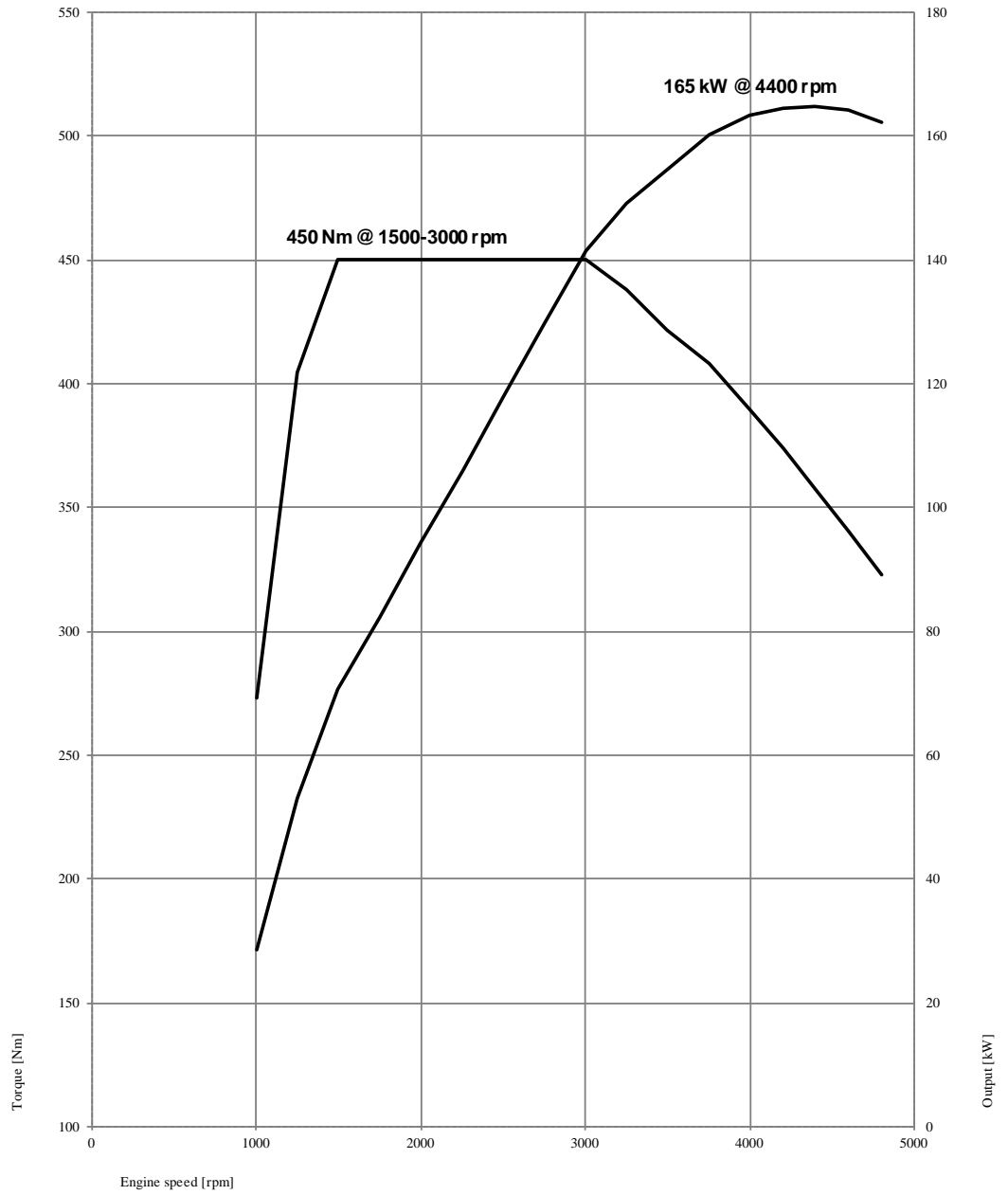
Valid from  
7/2017



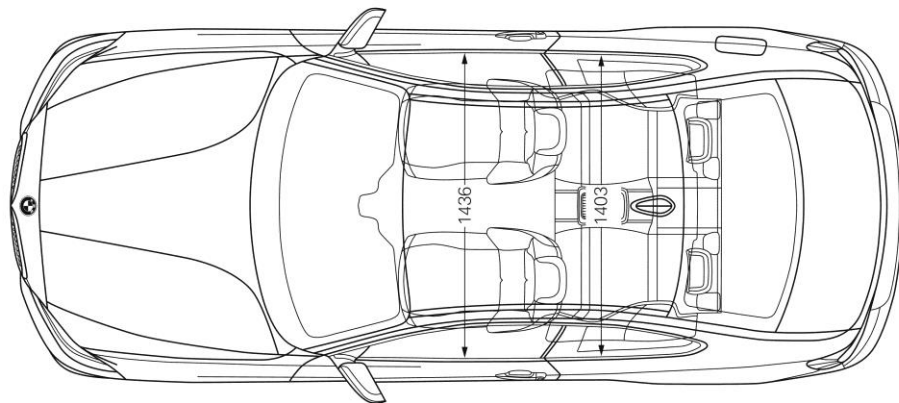
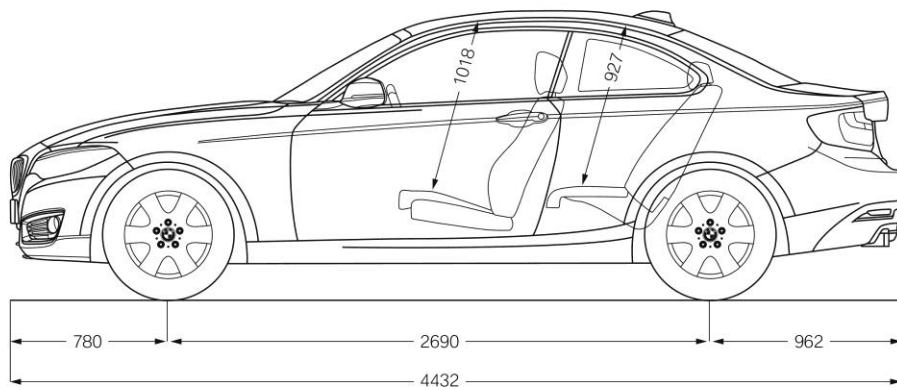
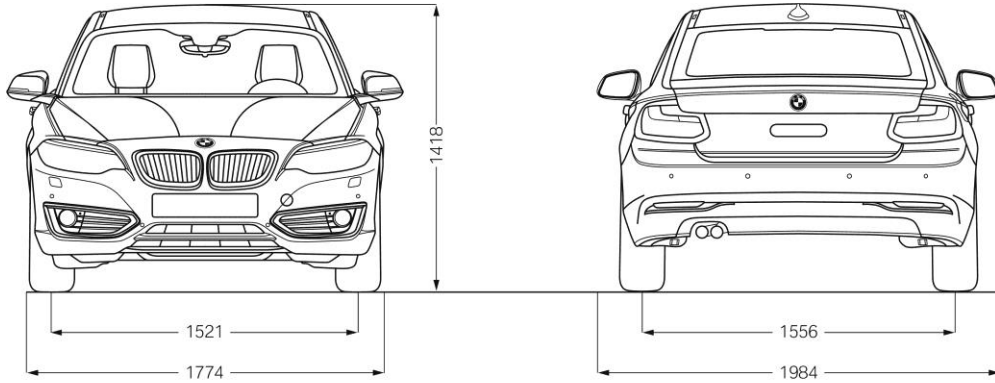
# The BMW 2 Series. 225d.

5/2017  
Page 35

Valid from  
7/2017



# Exterior and interior dimensions. The BMW 2 Series Coupe.



# The BMW 2 Series Convertible.

5/2017  
Page 37

Valid from  
7/2017

