

## Technical specifications. BMW i3 (120 Ah).



<b>BMW i3 (120 Ah)</b>		
<b>Body</b>		
Construction	CFRP passenger cell, aluminium chassis	
No of doors / seats	5 / 4	
Length	mm	4011
Width	mm	1775
Height (with roof fin)	mm	1598
Wheelbase	mm	2570
Track width front / rear	mm	1571 / 1576
Turning circle	m	9.86
Overhang front / rear	mm / mm	715 / 726
Ground clearance	mm	139
Boot capacity	ltr	260 – 1100
Fuel tank capacity	ltr	–
Weight, unladen, to DIN / EU	kg	1270 / 1345
Max permissible weight / load	kg / kg	1710 / 440
Max axle load, front / rear	kg / kg	770 / 965
Axle load distribution (unladen)	% f / r	48 / 52
Air resistance (cd x A)	– / m <sup>2</sup>	0.29 x 2.38
<b>Electric motor</b>		
Motor technology	BMW eDrive technology: hybrid synchronous electric motor with integrated power electronics, charging unit and generator function for energy recuperation	
Max output	kW (hp)	125 (170)
Rated output / at	kW (hp) / rpm	75 (102) / 4800
Torque / at	Nm / rpm	250 / 0
Recuperation output	kW	Up to 50
<b>High-voltage battery</b>		
Voltage	V	352
Battery capacity	Ah	120
Energy content (gross / net)	kWh	42.2 / 37.9
Storage technology	Lithium-ion	
<b>Combustion engine</b>		
Config / no of cyls / valves per cyl.	–	
Effective capacity	cc	–
Stroke / bore	mm/mm	–
Output at	kW (hp) / rpm	–
Torque / at	Nm / rpm	–
Compression ratio / poss. petrol type (recommended type)	:1/–	–
<b>Chassis</b>		
Drive configuration	Rear-wheel drive	
Suspension, front	Aluminium single-joint McPherson spring strut with anti-dive	
Suspension, rear	Aluminium five-link axle directly mounted to the Drive module	
Tyres, front / rear	155/70 R19 / 155/70 R19	
Rims, front / rear	5J x 19 light-alloy / 5J x 19 light-alloy	
<b>Steering</b>		
	Electric Power Steering (EPS), ratio 14:1	
<b>Brakes</b>		
	Vented discs front / rear	
<b>Transmission</b>		
	Automatic, single-speed with fixed ratio (9.665:1)	

<b>BMW i3 (120 Ah)</b>		
<b>Performance</b>		
Power-to-weight ratio (DIN)	kg / kW	10.2
Acceleration	0 – 100 km/h	s
	0 – 60 km/h	s
	80 – 120 km/h	s
Top speed	km/h	150
<b>Range</b>		
Electric range*	km	359
Electric range**	km	285 – 310
Electric range***	km	Up to 260
<b>Charging times (for 0 – 80% charge)</b>		
~ 45 min from fast-charging station (50 kW, DC) ~ 3.10 h from BMW i Wallbox (11 kW / 16 A / 380 V) ~ 9.40 h from BMW i Wallbox (3.7 kW / 16 A / 240 V) ~ 15.00 h from domestic socket (2.4 kW / 10 A / 240 V)		
<b>Consumption in EU cycle*</b>		
Elec. power consump. combined	kWh / 100 km	13.1
Petrol consumption combined	l/100 km	0.0
CO <sub>2</sub> emissions from petrol	g/km	0
Emissions rating	Electric vehicle	

Specifications apply to ACEA markets/data relevant to homologation apply in part only to Germany (weight)

\* The consumption, emissions and operating range figures are based on the new WLTP test cycle and are translated back into NEDC-equivalent values in order to ensure comparability between the vehicles (dependent on the tyre format specified). With respect to these vehicles, for vehicle-related taxes or other duties based (at least inter alia) on CO<sub>2</sub> emissions, the CO<sub>2</sub> values may differ from the values stated here (depending on national legislation). These figures are provisional.

\*\* Ranges according to WLTP test cycle, may vary depending on the tyre format specified and the equipment level. With respect to these vehicles, for vehicle-related taxes or other duties based (at least inter alia) on CO<sub>2</sub> emissions, the CO<sub>2</sub> values may differ from the values stated here (depending on national legislation). These figures are provisional.

\*\*\* Figures according to BMW range measurements in everyday use in urban areas, exterior temperature: 20°C, heating/air conditioning, pre-conditioning, COMFORT driving mode. Range dependent on various factors. In particular: personal driving style, route characteristics, exterior temperature, pre-conditioning.

The fuel consumption, CO<sub>2</sub> emissions and electric power consumption figures were determined according to the European Regulation (EC) 715/2007 in the version applicable. The figures refer to a vehicle with basic configuration in Germany. The range shown considers the different sizes of the selected wheels/tyres and the selected items of optional equipment, and may vary during configuration.

The values are already based on the new WLTP test cycle and are translated back into NEDC-equivalent values in order to ensure comparability between the vehicles. With respect to these vehicles, for vehicle-related taxes or other duties based (at least inter alia) on CO<sub>2</sub> emissions, the CO<sub>2</sub> values may differ from the values stated here (depending on national legislation).

Further information on official fuel consumption figures and specific CO<sub>2</sub> emission values of new passenger cars is included in the following guideline: 'Leitfaden über den Kraftstoffverbrauch, die CO<sub>2</sub>-Emissionen und den Stromverbrauch neuer Personenkraftwagen' (Guide to the fuel economy, CO<sub>2</sub> emissions and electric power consumption of new passenger cars), which can be obtained free of charge from all dealerships, from Deutsche Automobil Treuhand GmbH (DAT), Hellmuth-Hirth-Str. 1, 73760 Ostfildern-Scharnhausen and at <https://www.dat.de/co2/>.

## Technical specifications. BMW i3s (120 Ah).

<b>BMW i3s (120 Ah)</b>		
<b>Body</b>		
Construction		CFRP passenger cell, aluminium chassis
No of doors / seats		5 / 4
Length	mm	4006
Width	mm	1791
Height (with roof fin)	mm	1590
Wheelbase	mm	2570
Track width front / rear	mm	1592 / 1578
Turning circle	m	10.31
Overhang front / rear	mm / mm	714 / 722
Ground clearance	mm	131
Boot capacity	ltr	260 – 1100
Fuel tank capacity	ltr	–
Weight, unladen, to DIN / EU	kg	1290 / 1365
Max permissible weight / load	kg / kg	1730 / 440
Max axle load, front / rear	kg / kg	770 / 980
Axle load distribution (unladen)	% f / r	47 / 53
Air resistance (cd x A)	– / m <sup>2</sup>	0.30 x 2.41
<b>Electric motor</b>		
Motor technology		BMW eDrive technology: hybrid synchronous electric motor with integrated power electronics, charging unit and generator function for energy recuperation
Max output	kW (hp)	135 (184)
Rated output / at	kW (hp) / rpm	75 (102) / 4800
Torque / at	Nm / rpm	270 / 0
Recuperation output	kW	Up to 50
<b>High-voltage battery</b>		
Voltage	V	352
Battery capacity	Ah	120
Energy content (gross / net)	kWh	42.2 / 37.9
Storage technology		Lithium-ion
<b>Combustion engine</b>		
Config / no of cyls / valves per cyl.		–
Effective capacity	cc	–
Stroke / bore	mm/mm	–
Output at	kW (hp) / rpm	–
Torque / at	Nm / rpm	–
Compression ratio / poss. petrol type (recommended type)	:1/–	–
<b>Chassis</b>		
Drive configuration		Rear-wheel drive
Suspension, front		Aluminium single-joint McPherson spring strut with anti-dive
Suspension, rear		Aluminium five-link axle directly mounted to the Drive module
Tyres, front / rear		175/55 R20 / 195/50 R20
Rims, front / rear		5.5J x 20 light-alloy / 6J x 20 light-alloy
<b>Steering</b>		
		Electric Power Steering (EPS), ratio 14:1
<b>Brakes</b>		
		Vented discs front / rear
<b>Transmission</b>		
		Automatic, single-speed with fixed ratio (9.665:1)

<b>BMW i3s (120 Ah)</b>		
<b>Performance</b>		
Power-to-weight ratio (DIN)	kg / kW	9.6
Acceleration	0 – 100 km/h	s
	0 – 60 km/h	s
	80 – 120 km/h	s
Top speed	km/h	160
<b>Range</b>		
Electric range*	km	330 – 345
Electric range**	km	270 – 285
Electric range***	km	Up to 260
<b>Charging times (for 0 – 80% charge)</b>		
~ 45 min from fast-charging station (50 kW, DC) ~ 3.10 h from BMW i Wallbox (11 kW / 16 A / 380 V) ~ 9.40 h from BMW i Wallbox (3.7 kW / 16 A / 240 V) ~ 15.00 h from domestic socket (2.4 kW / 10 A / 240 V)		
<b>Consumption in EU cycle*</b>		
Elec. power consump. combined	kWh / 100 km	14.6 – 14.0
Petrol consumption combined	l/100 km	0.0
CO <sub>2</sub> emissions from petrol	g/km	0
Emissions rating		Electric vehicle

Specifications apply to ACEA markets/data relevant to homologation apply in part only to Germany (weight)

\* The consumption, emissions and operating range figures are based on the new WLTP test cycle and are translated back into NEDC-equivalent values in order to ensure comparability between the vehicles (dependent on the tyre format specified). With respect to these vehicles, for vehicle-related taxes or other duties based (at least inter alia) on CO<sub>2</sub> emissions, the CO<sub>2</sub> values may differ from the values stated here (depending on national legislation). These figures are provisional.

\*\* Ranges according to WLTP test cycle, may vary depending on the tyre format specified and the equipment level. With respect to these vehicles, for vehicle-related taxes or other duties based (at least inter alia) on CO<sub>2</sub> emissions, the CO<sub>2</sub> values may differ from the values stated here (depending on national legislation). These figures are provisional.

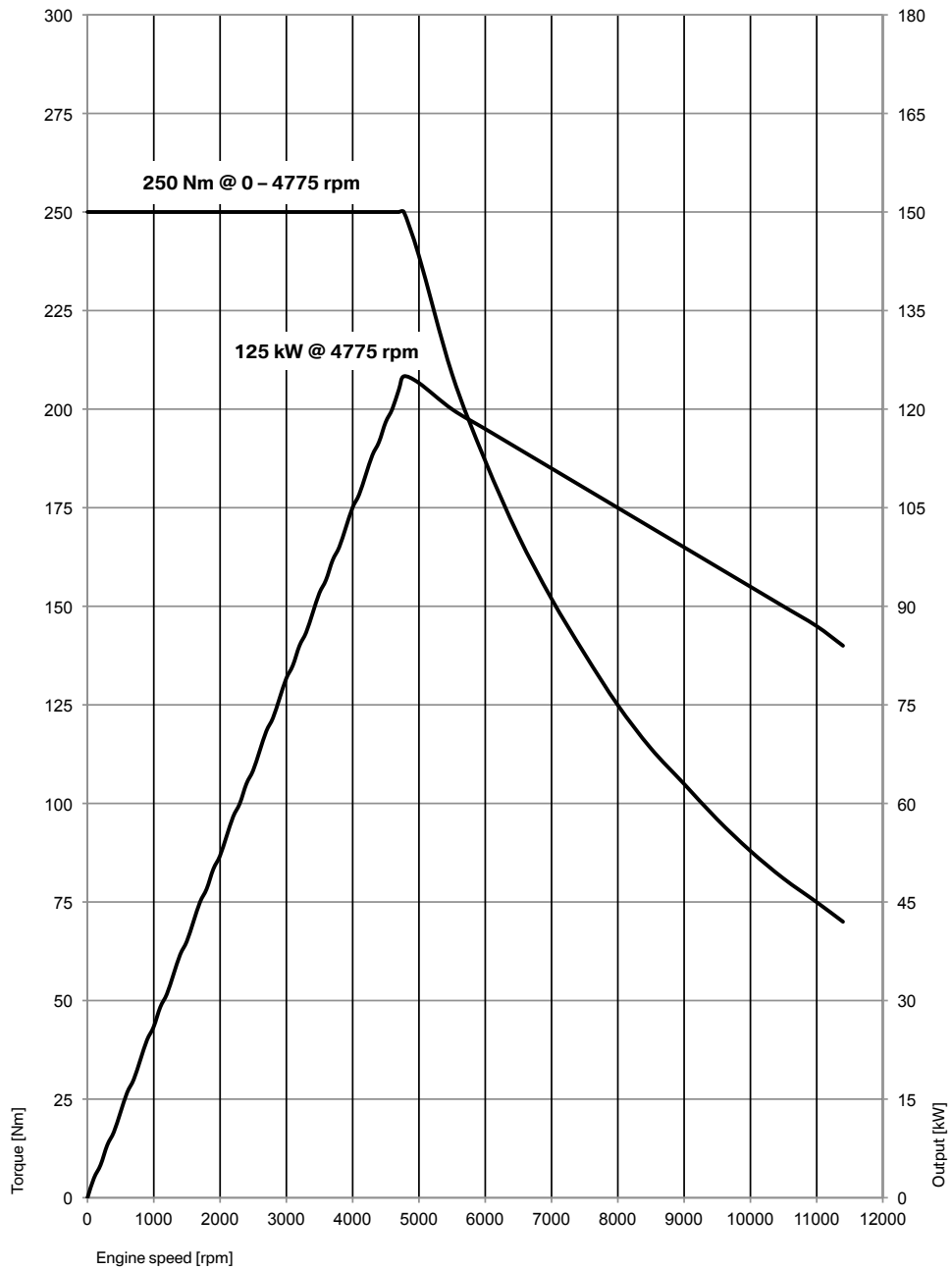
\*\*\* Figures according to BMW range measurements in everyday use in urban areas, exterior temperature: 20°C, heating/air conditioning, pre-conditioning, COMFORT driving mode. Range dependent on various factors. In particular: personal driving style, route characteristics, exterior temperature, pre-conditioning.

The fuel consumption, CO<sub>2</sub> emissions and electric power consumption figures were determined according to the European Regulation (EC) 715/2007 in the version applicable. The figures refer to a vehicle with basic configuration in Germany. The range shown considers the different sizes of the selected wheels/tyres and the selected items of optional equipment, and may vary during configuration.

The values are already based on the new WLTP test cycle and are translated back into NEDC-equivalent values in order to ensure comparability between the vehicles. With respect to these vehicles, for vehicle-related taxes or other duties based (at least inter alia) on CO<sub>2</sub> emissions, the CO<sub>2</sub> values may differ from the values stated here (depending on national legislation).

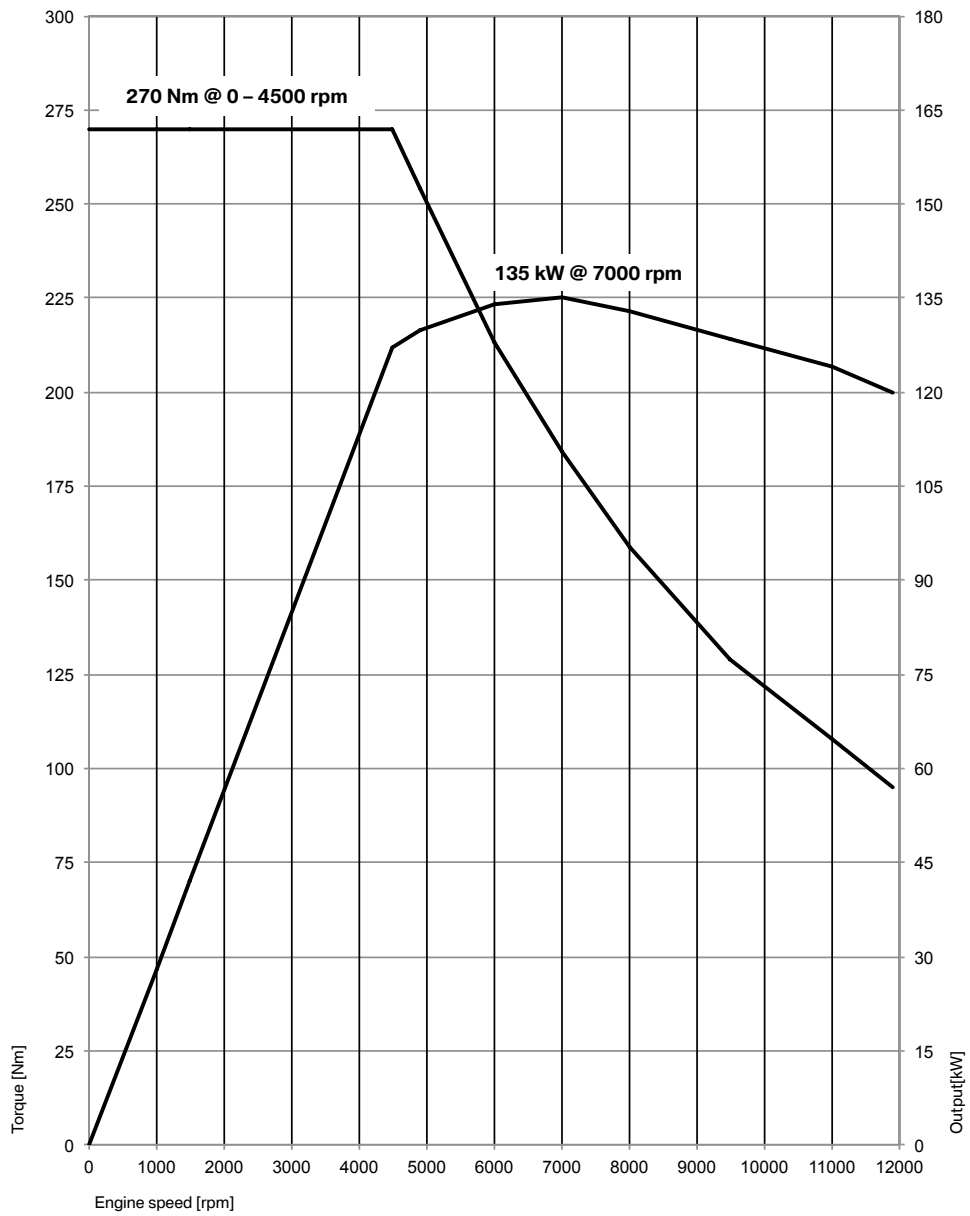
Further information on official fuel consumption figures and specific CO<sub>2</sub> emission values of new passenger cars is included in the following guideline: 'Leitfaden über den Kraftstoffverbrauch, die CO<sub>2</sub>-Emissionen und den Stromverbrauch neuer Personenkraftwagen' (Guide to the fuel economy, CO<sub>2</sub> emissions and electric power consumption of new passenger cars), which can be obtained free of charge from all dealerships, from Deutsche Automobil Treuhand GmbH (DAT), Hellmuth-Hirth-Str. 1, 73760 Ostfildern-Scharnhausen and at <https://www.dat.de/co2/>.

# Output and torque diagrams. The new BMW i3.

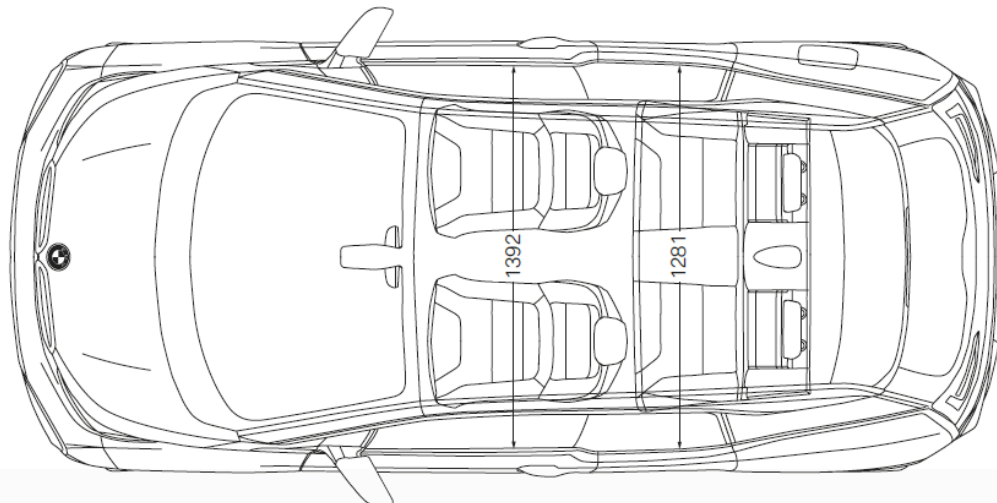
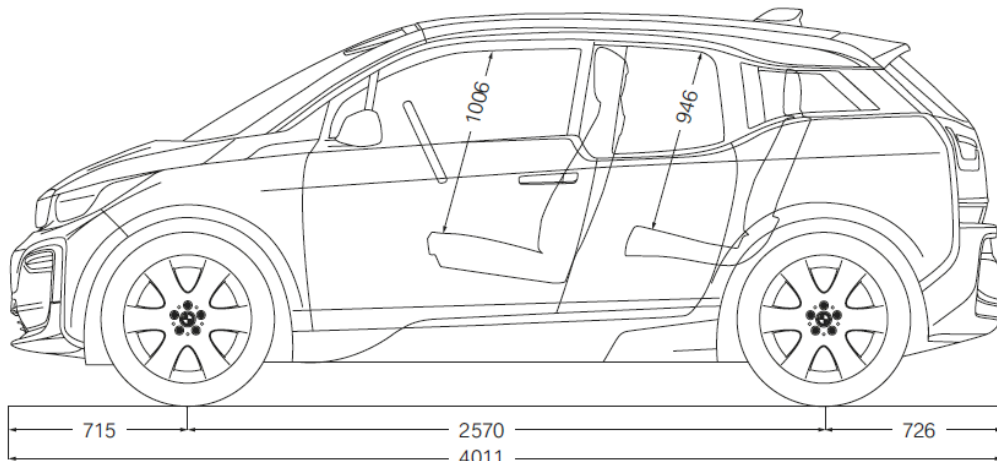
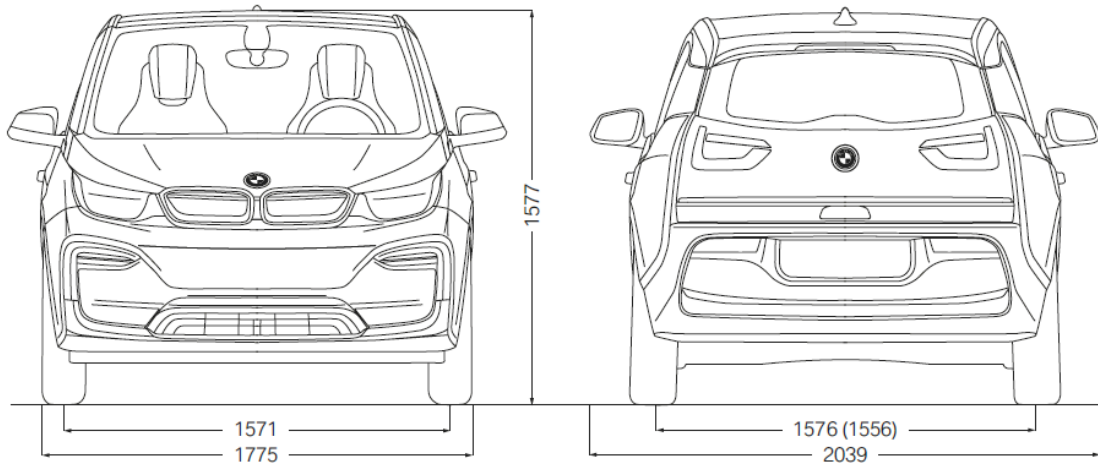


# The new BMW i3s.

11/2018



# Exterior and interior dimensions. The new BMW i3.



# The new BMW i3s.

