

# Technical specifications. BMW M2.



BMW  
Media  
information

10/2022  
Page 1

<b>BMW M2</b>	
<b>Body</b>	
No of doors/seats	2 / 4
Length/width/height (unladen) mm	4580 / 1887 / 1403
Wheelbase mm	2747
Track, front/rear mm	1617 / 1605
Ground clearance mm	123
Turning circle m	11.9
Fuel tank capacity approx. l	52
Engine oil <sup>1)</sup> l	7.0
Weight, unladen, to DIN/EU kg	1725 / 1800 (1700 / 1775)
Max. load to DIN kg	430 (455)
Max. permissible weight kg	2155 (2155)
Max. axle load, front/rear kg	1075 / 1135
Max. trailer load, braked (12%/unbraked) kg	- / -
Max. roofload/towbar download kg	75 / -
Luggage comp. capacity l	390
Air resistance c <sub>d</sub> x A	<sup>3)</sup>
<b>Power Unit</b>	
Config./No. of cyls./valves	In-line / 6 / 4
Engine technology	M TwinPower Turbo technology with two mono-scroll turbochargers, indirect charge air cooling, High Precision Injection (maximum injection pressure: 350 bar), VALVETRONIC fully variable valve timing and Double-VANOS variable camshaft timing
Effective capacity cc	2993
Stroke/bore mm	90.0 / 84.0
Compression ratio	:1 9.3
Fuel	RON 98 (min. RON 95)
Max. output kW/hp	338 / 460
at rpm	6250
Max. torque Nm	550
at rpm	2650 - 5870
<b>Electrical System</b>	
Battery/installation Ah/-	92 / luggage compartment
<b>Driving Dynamics and Safety</b>	
Suspension, front	Adaptive M suspension with double-joint spring strut axle in lightweight aluminium construction, M-specific kinematics and elastokinematics
Suspension, rear	Adaptive M suspension with five-link axle in lightweight aluminium/steel construction, rear-axle subframe with rigid bolted connection to the body, M-specific kinematics and elastokinematics
Brakes, front	M Compound brakes, vented, with six-piston fixed callipers
Brakes, rear	M Compound brakes, vented, with single-piston floating callipers
Driving stability systems	Standard: DSC incl. ABS, ASC and M Dynamic Mode (MDM), can be switched off, integrated wheel slip limitation, CBC (Cornering Brake Control), DBC (Dynamic Brake Control), Dry Braking function, drive-off assistant, Active M Differential
Safety equipment	Standard: airbags for driver and front passenger, side airbags for driver and front passenger, head airbags for front and rear seats, three-point inertia-reel seatbelts on all seats with belt stopper, belt tensioner and belt force limiter in the front, crash sensors, tyre pressure indicator
Steering	Electric Power Steering (EPS) with M-specific Servotronic function and variable sport ratio
Steering ratio, overall	:1 15,0
Tyres, front/rear	275/35 ZR19 100Y XL 285/30 ZR20 99Y XL
Rims, front/rear	9.5J x 19 light-alloy 10.5J x 20 light-alloy

<b>BMW M2</b>			
<b>Transmission</b>			
Type of transmission	Eight-speed M Steptronic transmission with Drivelogic (six-speed manual)		
Gear ratios	I	:1	5.000 (4.110)
	II	:1	3.200 (2.315)
	III	:1	2.143 (1.542)
	IV	:1	1.720 (1.179)
	V	:1	1.313 (1.000)
	VI	:1	1.000 (0.846)
	VII	:1	0.823 (-)
	VIII	:1	0.640 (-)
	R	:1	3.478 (3.727)
Final drive		:1	3.154 (3.462)
<b>Performance</b>			
Power-to-weight ratio (DIN)	kg/kW		5.1 (5.0)
Output per litre	kW/l		112.9
Acceleration	0–100 km/h	s	4.1 (4.3)
Acceleration	0–200 km/h	s	13.5 (14.3)
Acceleration	80–120 km/h	s	
	in 4th/5th gear		2.9 / 3.8 (4.1 / 5.6)
Top speed	km/h		250 / 285 <sup>2)</sup>
<b>BMW EfficientDynamics</b>			
BMW EfficientDynamics standard features	Brake Energy Regeneration, Electric Power Steering, Automatic Start/Stop function, Optimum Shift Indicator (M Steptronic: in manual shift mode), BMW EfficientLightweight, on-demand operation of ancillary units, map-regulated oil pump, differential with optimised efficiency, optimised aerodynamic attributes		
<b>Fuel Consumption ECE</b>			
Combined (WLTP)	l/100 km		10.2 – 9.7
Combined (NEDC)	l/100 km		–
CO <sub>2</sub> (WLTP)	g/km		231 – 218
CO <sub>2</sub> (NEDC)	g/km		–
Emission rating			Euro 6d

Specifications apply to ACEA markets/data relevant to homologation applies in part only to Germany (weight)

All figures are provisional

Figures in brackets refer to cars with the manual gearbox

<sup>1)</sup> Oil change with filter

<sup>2)</sup> Limited / with optional M Driver's Package

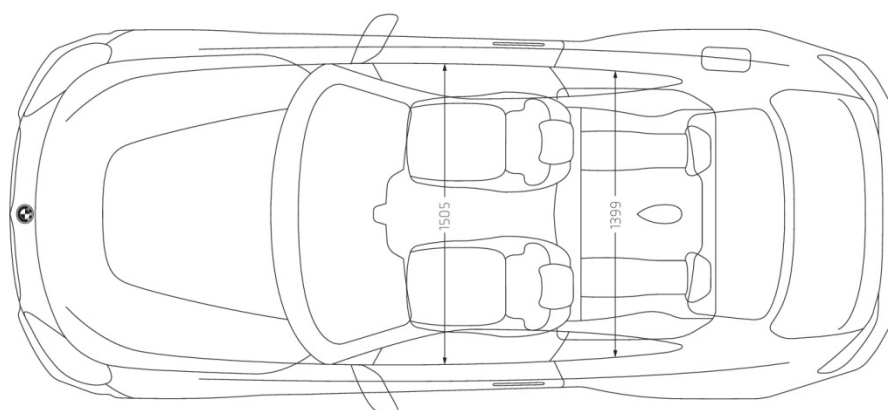
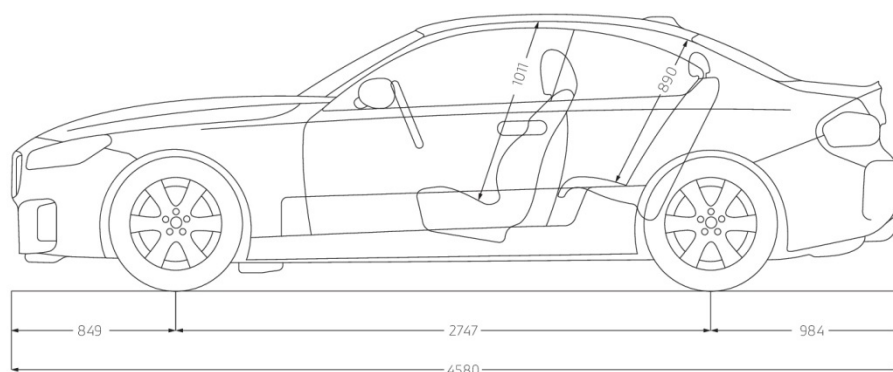
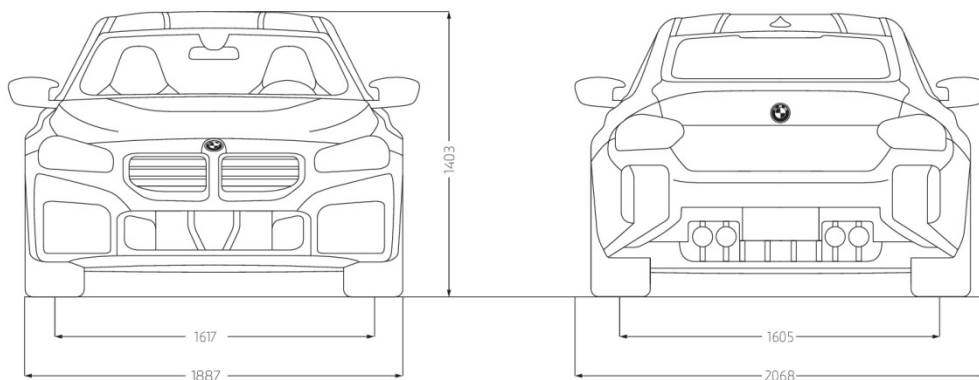
<sup>3)</sup> Figures not yet available

Official fuel consumption, CO<sub>2</sub> emissions, electric power consumption and electric range figures were determined based on the prescribed measurement procedure in accordance with European Regulation (EC) 2007/715 in the version applicable. They refer to vehicles in the German market. Where a range is shown, NEDC figures consider the different sizes of the selected wheels/tyres, while WLTP figures take into account the impact of any optional extras.

WLTP values are used for determining vehicle-related taxes or other duties based (at least inter alia) on CO<sub>2</sub> emissions as well as eligibility for any applicable vehicle-specific subsidies. Any NEDC values that are shown were calculated based on the new WLTP measurement procedure where appropriate and translated back into equivalent NEDC measurements in order to ensure comparability between the vehicles. Only official figures based on the WLTP procedure are available for new models that have been type tested since 01.01.2021. Further information on the WLTP and NEDC measurement procedures can also be found at [www.bmw.de/wltp](http://www.bmw.de/wltp).

Further information on official fuel consumption figures and specific CO<sub>2</sub> emission values of new passenger cars is included in the following guideline: 'Leitfaden über den Kraftstoffverbrauch, die CO<sub>2</sub>-Emissionen und den Stromverbrauch neuer Personenkraftwagen' (Guide to the fuel economy, CO<sub>2</sub> emissions and electric power consumption of new passenger cars), which can be obtained free of charge from all dealerships, from Deutsche Automobil Treuhand GmbH (DAT), Hellmuth-Hirth-Str. 1, 73760 Ostfildern-Schmhausen and at <https://www.dat.de/co2/>.

# Exterior and interior dimensions. BMW M2.



The dimensions of the technical drawing are in millimetres and may vary depending on the model and optional equipment specified.