

The BMW 6 Series  
Coupe  
Convertible

[www.bmw.co.uk](http://www.bmw.co.uk)



The Ultimate  
Driving Machine



# PRICE LIST.

FROM SEPTEMBER 2009.

BMW EfficientDynamics  
Less emissions. More driving pleasure.



## Contents.

- 4 BMW EfficientDynamics
- 6 Technical introduction
- 7 Pricing
- 8 Standard equipment
- 10 Sport
- 11 Paintwork
- 12 Interior trim
- 13 Upholstery
- 14 Paintwork and upholstery combinations
- 15 Interior trim and upholstery combinations
- 16 Colour linked parts
- 17 Wheels and tyres
- 19 BMW Individual
- 20 Optional equipment
- 30 More about BMW
- 33 Technical data



## This is how much has gone in.

The pleasure you get from driving a BMW is the result of fine engineering – always setting the benchmark because it is based on much more than engine power. This is the thinking behind BMW's programme of EfficientDynamics. A change in philosophy, this programme of technologies helps to make positive changes in reducing CO<sub>2</sub> emissions and improving fuel consumption whilst enhancing driving dynamics. Changes for both today and tomorrow. Today's solutions include Brake Energy Regeneration, an innovative process for harnessing energy previously lost. As for tomorrow – even more advanced technologies to improve emissions and fuel consumption as we move towards BMW's vision of CleanEnergy and the use of hydrogen-powered engines. Nothing lost, but much gained. BMW EfficientDynamics: pushing the boundaries in terms of performance and dynamism – without compromise.

### High-precision direct injection

In this cutting-edge generation of petrol direct injection, the Piezo injectors are positioned very close to the spark plugs. They inject the fuel at high pressure and with extreme precision.

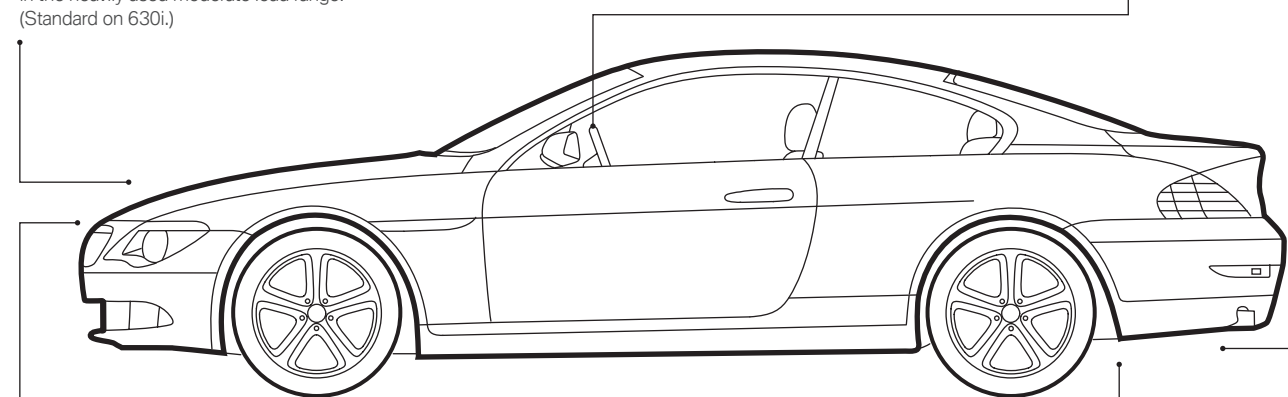
The injectors' central positioning means only part of the combustion chamber needs to be filled with an ignitable petrol-air mixture. The engine can then run 'leanly' and so efficiently, precisely in the heavily used moderate load range.

(Standard on 630i.)

### Optimum Shift Indicator

Timely gear shifts are one of the most effective and easiest ways to save fuel. This is where Optimum Shift Indicator in conjunction with six-speed manual transmission comes in. It shows the driver the most fuel-efficient gear to select for any driving situation.

(Only on 630i and 650i with optional Six-speed manual transmission.)



### Lightweight Engineering

Our engineers use aluminium where lighter materials are more expedient, for instance in the front section or for the suspension.

The six-cylinder in-line petrol engine, for instance, is composed of aluminium and magnesium, making these engines the lightest in their class. These weight savings lead to lower fuel consumption and better axle load distribution, for more agility, especially in bends.

(Standard on all models.)

### Brake Energy Regeneration

The alternator disengages automatically when the battery is fully charged, only re-engaging when the battery needs charging. In addition, the system engages automatically when the car's brakes are applied or when coasting, to recycle otherwise wasted energy. (Standard on all models.)

## And this is what comes out.

BMW already offers 80 models\* with CO<sub>2</sub> emissions of 140g/km or less. But that's just for starters. We're carrying on our research – in the quest to bring you more driving pleasure and less consumption.

\* In the UK and Republic of Ireland.

Certain BMW EfficientDynamics features may be excluded depending on the optional equipment chosen. Your BMW Dealer will be pleased to provide you with more information.



## BMW 6 Series Coupé and Convertible.

Model	Power output (hp)	0-62mph (secs)	Combined fuel consumption (mpg)	CO <sub>2</sub> emissions (g/km)	VED band	Insurance group
<b>Coupé</b>						
<b>630i SE</b>	272	6.4 (6.2)	36.7 (35.8)	184 (188)	I (J)	19 / 47
<b>630i Sport</b>	272	6.4 (6.2)	36.7 (35.8)	184 (188)	I (J)	19 / 47
<b>650i SE</b>	367	5.2 (5.1)	26.9 (24.1)	249 (279)	L (M)	20 / 49
<b>650i Sport</b>	367	5.2 (5.1)	26.9 (24.1)	249 (279)	L (M)	20 / 49
<b>635d SE</b>	286	6.3	40.9	183	I	19 / 49
<b>635d Sport</b>	286	6.3	40.9	183	I	19 / 49

<b>Convertible</b>						
Model	Power output (hp)	0-62mph (secs)	Combined fuel consumption (mpg)	CO <sub>2</sub> emissions (g/km)	VED band	Insurance group
<b>630i SE</b>	272	7.0 (6.7)	34.9 (34.0)	192 (198)	J (J)	20 / 50
<b>630i Sport</b>	272	7.0 (6.7)	34.9 (34.0)	192 (198)	J (J)	20 / 50
<b>650i SE</b>	367	5.6 (5.5)	25.9 (22.4)	258 (299)	M (M)	20 / 50
<b>650i Sport</b>	367	5.6 (5.5)	25.9 (22.4)	258 (299)	M (M)	20 / 50
<b>635d SE</b>	286	6.6	39.2	190	J	20 / 50
<b>635d Sport</b>	286	6.6	39.2	190	J	20 / 50

### Prices and specifications

BMW (UK) Limited reserves the right to alter prices and specifications without notice.

BMW (UK) Limited has made every effort to ensure the accuracy of information but does not accept liability for any errors or omissions.

#### Key

All figures apply for standard Sport automatic transmission.

Figures in ( ) apply to optional six-speed manual transmission.

Insurance group figures refer to – 20 Group Rating System / 50 Group Rating System.

Basic price (excluding VAT)	VAT	Retail price (including VAT)	On the road price	P11d value	BIK tax rate (2009 / 2010)
£45,913.04	£6,886.96	£52,800	<b>£53,710</b>	£53,480	24%
£49,217.39	£7,382.61	£56,600	<b>£57,510</b>	£57,280	24%
£51,565.22	£7,734.78	£59,300	<b>£60,440</b>	£59,980	35%
£54,869.57	£8,230.43	£63,100	<b>£64,240</b>	£63,780	35%
£48,565.22	£7,284.78	£55,850	<b>£56,760</b>	£56,530	27%
£51,869.57	£7,780.43	£59,650	<b>£60,560</b>	£60,330	27%

£50,826.09	£7,623.91	£58,450	<b>£59,400</b>	£59,130	26%
£54,130.43	£8,119.57	£62,250	<b>£63,200</b>	£62,930	26%
£56,304.35	£8,445.65	£64,750	<b>£65,890</b>	£65,430	35%
£59,608.70	£8,941.30	£68,550	<b>£69,690</b>	£69,230	35%
£53,478.26	£8,021.74	£61,500	<b>£62,450</b>	£62,180	29%
£56,782.61	£8,517.39	£65,300	<b>£66,250</b>	£65,980	29%

### VED rates

Annual VED rates for brand new cars are determined by their CO<sub>2</sub> emission figure.

BMW 6 Series Coupé and Convertible models fall into one of the four categories listed below:

CO <sub>2</sub> emissions g/km	Band I 176-185	Band J 186-200	Band L 226-255	Band M 256+
<b>Vehicle Excise Duty</b>	£175	£215	£405	£405

### On the road price

The recommended on the road price includes:

Delivery and BMW Emergency Service	£655
Number plates	£25
Vehicle first registration fee	£55
Vehicle Excise Duty (12 months)	See left



## 630i SE, 635d SE and 650i SE Coupé and Convertible

### Engine 630i

- Catalytic converter
- Cylinder specific knock control
- Digital Motor Electronics (DME)
- Double-VANOS
- EU4 emissions management
- High-precision direct injection
- Six-cylinder in-line petrol engine with four-valve technology
- Two stage intake system (DISA)

### Engine 635d

- Catalytic converter
- Common-rail injection system
- Diesel Particulate Filter (DPF)
- Digital Diesel Electronics (DDE)
- Engine mounts, hydraulically controlled
- EU4 emissions management
- Six-cylinder in-line diesel engine with four-valve technology
- Two-stage twin-turbo

### Engine 650i

- Catalytic converter
- Digital Motor Electronics (DME)
- EU4 emissions management
- Light alloy engine block and cylinder head
- V8 engine with four-valve technology
- VALVETRONIC engine management

### Transmission

- Sport automatic transmission (Six-speed manual transmission can be specified as a zero-cost option)

### Wheels and chassis

- 17" light alloy Star-spoke style 117 wheels (630i and 635d)
- 18" light alloy V-spoke style 248 wheels (650i)
- Double-joint spring-strut front axle, aluminium
- Integral rear axle, aluminium
- Servotronic power steering
- Sport suspension

### Safety and technology

- Airbags comprising:
  - Advanced Head Protection System (AHPS II), front (Coupé only)
  - Crash sensor activation central locking release, hazard warning lights, fuel cut-off and interior lighting
  - Driver, front passenger, front and side
  - Impact-depending airbag system (ID Airbags), driver and front passenger
  - Passenger seat airbag deactivation, front
  - Passenger seat occupancy sensor, front
- Alarm system (Thatcham 1) with remote control and engine immobiliser
- Anti-whiplash head restraints, front
- Battery in luggage compartment with jump-start facility in engine bay
- Brake Force Display
- Brake lights with LED technology
- Check control warning system
- Condition Based Servicing (CBS)
- Cruise control with brake function
- Deformation zones – front and rear, that can absorb impacts of up to 9.5mph
  - Bumpers absorb impacts up to 2.5mph without damage
- Dynamic Stability Control Plus (DSC+) comprising:
  - Anti-lock Braking System (ABS)
  - Automatic Stability Control (ASC)
  - Brake drying
  - Brake fade compensation
  - Brake pre-tensioning
  - Cornering Brake Control (CBC)
  - Dynamic Brake Control (DBC)
  - Dynamic Traction Control (DTC)
  - Electronic Brake-force Distribution (EBD)
  - Hill-start assistant
  - Soft-stop
- First Aid kit and warning triangle
- Fuel filler cap, linked to central locking
- Foglights, front and rear
- GRAV – Complete front-end, bonnet and doors in lightweight aluminium
- Headlight wash
- Incorrect fuelling protection system (635d)
- Lane departure warning system (635d & 650i)
- Luggage compartment with chauffeur key for secure valet parking, lockable

### Safety and technology (cont.)

- On-Board Diagnosis (OBD)
- Park Distance Control (PDC), front and rear
- Rain sensor with automatic headlight activation
- Rollover protection system (Convertible only)
- Run-flat tyres with Tyre Puncture Warning System (TPWS)
- Seat belts – front, inertia reel with pyrotechnical belt latch tensioner, belt force limiter and belt restrainer
- Seat belts – rear, two with inertia reel
- Side impact protection
- Wheel bolts, locking
- Windows – heat-insulated, green tinted all round
- Windscreen washer jets – heated, black gloss (Convertible only)
- Windscreen washer jets – heated, chrome (Coupé only)
- Xenon headlights

### Seats

- Child seat ISOFIX attachment, rear
- Dakota leather upholstery (with SunReflective Technology for Convertible)
- Rear seat easy access system
- Seat heating, front
- Standard seats – front, electric adjustment with driver memory

### Exterior equipment

- All round anti-corrosion system with partial hot galvanising, phosphate treatment, cathodic dip paintwork, preservation of hollow cavities, underfloor protection
- Exhaust tailpipes – single, left and right, polished stainless steel
- Exterior mirrors – aspheric, heated, with electric adjustment
- Exterior parts in body colour – bumpers, side sills, door handles, exterior mirror housing
- Exterior trim, Chromeline (Coupé only)
- Exterior trim, Matt Black (Convertible only)
- Indicator lenses, clear
- Kidney grille, chrome with black vertical slats (630i & 635d)
- Kidney grille, chrome with chrome vertical slats (650i)
- Luggage compartment opening via remote key
- Metallic paintwork
- Rear spoiler, precision moulded and integrated into lightweight bootlid
- Soft-top – lined, retractable, with heated glass rear windscreen, fully automatic (Convertible only)

### Interior equipment

- Air conditioning, automatic with extended features
- Armrest – front, centre with storage compartment and two stage height adjustment
- Courtesy lights, front and rear with soft on/off dimming
- Cup holder, front
- Door sill finishers with BMW designation

### Interior equipment (cont.)

- Electric windows – front and rear, (Coupé – front only) with open/close fingertip control, anti-trap facility and comfort closing function all round
- Floor mats, velour
- Gear lever finished in Pearl Gloss chrome
- Glove compartment, lockable and illuminated
- Interior trim, Ruthenium Metallic
- Oil temperature display
- Rear-view mirror, automatically dimming
- Smoker's package (can be deleted)
- Sport multi-function leather steering wheel, three-spoke
- Start-Stop button
- Steering column with electric reach and rake adjustment
- Storage compartments in interior door panels
- Storage net in luggage compartment
- Storage net in passenger footwell, front (can be deleted)
- Storage nets on seat backrests
- Toolkit located in luggage compartment
- Two lashing eyes in luggage compartment

### Audio and communication

- Auxilliary input for auxilliary playing devices
- Bluetooth telephone preparation with telematics
- BMW ConnectedDrive – Assist
- BMW ConnectedDrive – Online
- BMW Professional radio with single CD player
- Control Display – 8.8" colour display screen
- iDrive Controller with shortcut buttons
- Loudspeaker system – BMW Business
- Navigation System – BMW Professional Multimedia
- On-Board Computer (OBC) comprising:
  - Average speed
  - Fuel consumption and range
  - Journey computer
  - Outside temperature display
  - Personal Profile
  - Speed limit function
  - Stop watch
- USB audio interface
- Voice Control

### Service

- Service Inclusive (5 years / 60,000 miles)

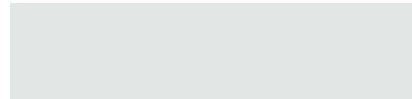


**Sport models**  
**Equipment in addition / replacement to SE models (Coupé and Convertible)**

- 19" light alloy wheels Star-spoke style 249
- Contoured Bonnet
- Interior trim, Brushed Aluminium
- Exhaust tailpipes – dark chrome
- Extended lighting
- Exterior trim, High-gloss Shadowline
- Headlining, Anthracite
- Lumbar support, driver and front passenger
- M anti-roll stabilisation system
- M Sport multi-function leather steering wheel, three-spoke
- Sport exhaust system (650i only)
- Sport seats, front



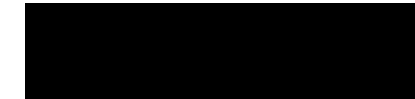
● **Alpine White**  
300 non-metallic



● **Imola Red\*\***  
405 non-metallic



● **Jet Black\***  
668 non-metallic



● **Atlantic Blue\***  
A13 metallic



● **Barbera Red\***  
A39 metallic



● **Black Sapphire**  
475 metallic



● **Carbon Black\*\***  
416 metallic



● **Deep Sea Blue**  
A76 metallic



● **Mineral Silver\***  
A14 metallic



● **Monaco Blue\***  
A35 metallic



● **Space Grey**  
A52 metallic



● **Stratus Grey\***  
440 metallic



● **Titanium Silver**  
354 metallic



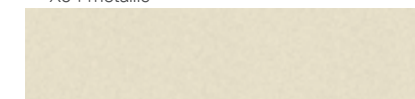
○ **BMW Individual Aventurine Silver**  
S58 metallic



○ **BMW Individual Azurite Black**  
S34 metallic



○ **BMW Individual Moonstone**  
X04 metallic



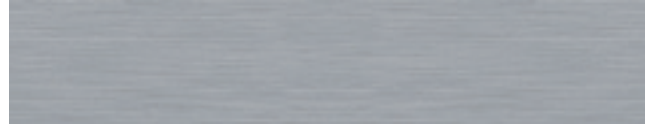
○ **BMW Individual Ruby Black**  
X03 metallic



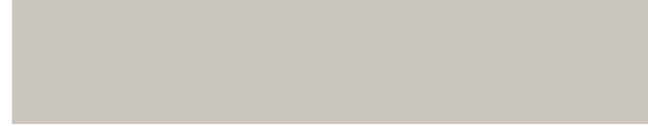
**Key** ● = Standard ○ = Optional \* = Only available on SE models \*\* = Only available on Sport models

Please see the paintwork, upholstery and interior trim pricing tables or consult your BMW Dealer for further details. These samples are designed to give you a first impression of paint colours. Experience has shown however, that printed versions of paint colours cannot in all cases faithfully replicate the colour appearance of the originals. We recommend that you consult your local BMW Dealer who has physical samples of all available options.

● **Brushed Aluminium\*** 4BK



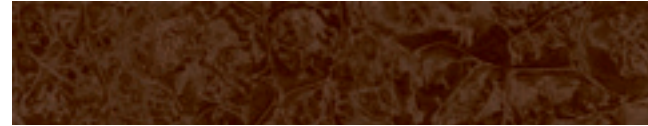
● **Ruthenium Metallic** 4CD



○ **Dark Birch wood, high-gloss** 436



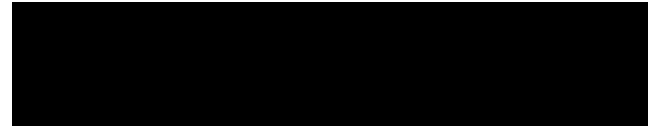
○ **Maple wood, high-gloss** 4BW



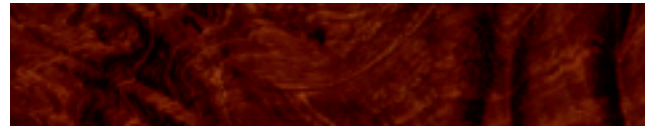
○ **BMW Individual Amarone Walnut wood** XE1



○ **BMW Individual Piano Black** XE7



○ **BMW Individual Red Brown Olive Ash wood** XE4

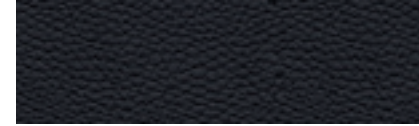


**Key** ● = Standard ○ = Optional \* = Standard on Sport models

Please see the paintwork, upholstery and interior trim pricing tables or consult your BMW Dealer for further details.

These samples are designed to give you a first impression of interior trims. Experience has shown however, that printed versions of interior trims cannot in all cases faithfully replicate the colour appearance or texture of the originals. We recommend that you consult your local BMW Dealer who has physical samples of all available options.

● **Dakota leather Black** LCSW



● **Dakota leather Chateau** LCCH



● **Dakota leather Cream Beige** LCGE



○ **Exclusive Pearl leather Black** LESW



○ **Exclusive Pearl leather Chateau** LECH



○ **Exclusive Pearl leather Cream Beige** LEGE



○ **Exclusive Pearl leather Saddle Brown** LED5



○ **BMW Individual Full Merino leather Black** ZBSW



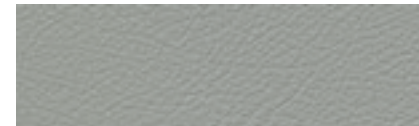
○ **BMW Individual Full Merino leather Champagne** ZBCM



○ **BMW Individual Full Merino leather Platinum** ZBC8



○ **BMW Individual Full Merino leather Polar Grey** ZBP4



○ **BMW Individual Full Merino leather Rust Brown** ZBP2



○ **BMW Individual Full Merino leather Syrah Blue** ZBF3



**Key** ● = Standard ○ = Optional

Please see the paintwork, upholstery and interior trim pricing tables or consult your BMW Dealer for further details.

These samples are designed to give you a first impression of upholsteries. Experience has shown however, that printed versions of upholsteries cannot in all cases faithfully replicate the colour appearance or texture of the originals. We recommend that you consult your local BMW Dealer who has physical samples of all available options.



	Carpet	Floor mats	Dashboard		Seats		Doors		
			Lower	Upper	Seat back	Seat facing	Door insert	Door casing	Door armrest

**Dakota leather upholstery**



<b>Black</b>	Anthracite	Black	Black	Black	Black	Black	Black	Black	Black
<b>Chateau</b>	Chateau	Chateau	Black	Black	Black	Chateau	Black	Chateau	Black
<b>Cream Beige</b>	Cream Beige	Cream Beige	Black	Black	Cream Beige	Cream Beige	Black	Cream Beige	Black

**Exclusive Pearl leather upholstery**

<b>Black</b>	Anthracite	Black	Black	Black	Black	Black	Black	Black	Black
<b>Chateau</b>	Chateau	Chateau	Black	Black	Chateau	Chateau	Black	Chateau	Black
<b>Cream Beige</b>	Cream Beige	Cream Beige	Black	Black	Cream Beige	Cream Beige	Black	Cream Beige	Black
<b>Saddle Brown</b>	Saddle Brown	Saddle Brown	Black	Black	Saddle Brown	Saddle Brown	Black	Saddle Brown	Black



**BMW Individual Full Merino leather upholstery**

<b>Black</b>	Anthracite	Black	Black	Black	Black	Black	Black	Black	Black
<b>Champagne</b>	Anthracite	Black	Champagne	Black	Champagne	Champagne	Champagne	Black	Champagne
<b>Platinum</b>	Anthracite	Black	Platinum	Black	Platinum	Platinum	Platinum	Black	Platinum
<b>Polar Grey</b>	Anthracite	Black	Polar Grey	Black	Polar Grey	Polar Grey	Polar Grey	Black	Polar Grey
<b>Rust Brown</b>	Anthracite	Black	Rust Brown	Black	Rust Brown	Rust Brown	Rust Brown	Black	Rust Brown
<b>Syrah Blue</b>	Anthracite	Black	Syrah Blue	Black	Syrah Blue	Syrah Blue	Syrah Blue	Black	Syrah Blue

		<b>Star-spoke style 117</b>	<b>V-spoke style 248</b>
<b>Wheel size</b>	Front / rear	7.5 J x 17 / 7.5 J x 17	8 J x 18 / 8 J x 18
<b>Tyre size</b>	Front / rear	245/50 R17 / 245/50 R17	245/45 R18 / 245/45 R18
	Option code	●	2KP
			
<b>630i SE, 635d SE</b>		●	<b>£510</b>
<b>650i SE</b>		-	●

		<b>Double-spoke style 266*</b>	<b>Ellipsoid-spoke style 121*</b>
<b>Wheel size</b>	Front / rear	8 J x 18 / 9 J x 18	8.5 J x 19 / 9 J x 19
<b>Tyre size</b>	Front / rear	245/45 R18 / 275/40 R18	245/40 R19 / 275/35 R19
	Option code	2BV	595
			
<b>630i SE, 635d SE</b>		<b>£1,020</b>	<b>£1,565</b>
<b>650i SE</b>		<b>£510</b>	<b>£1,055</b>

**Key** ● = Standard £ = Optional - = Not available  
 \* = Snow chains cannot be fitted to these wheels

		Star-spoke style 218*	Star-spoke style 249*
<b>Wheel size</b>	Front / rear	8.5 J x 19 / 9 J x 19	8.5 J x 19 / 9 J x 19
<b>Tyre size</b>	Front / rear	245/40 R19 / 275/35 R19	245/40 R19 / 275/35 R19
	Option code	2C7	2SF**
			
<b>630i Sport, 635d Sport, 650i Sport</b>		£0	●

		Double-spoke style 288*	BMW Individual V-spoke style 152*
<b>Wheel size</b>	Front / rear	8.5 J x 19 / 9 J x 19	8.5 J x 19 / 9 J x 19
<b>Tyre size</b>	Front / rear	245/40 R19 / 275/35 R19	245/40 R19 / 275/35 R19
	Option code	2NS	2M1
			
<b>630i SE, 635d SE</b>		-	£1,910***
<b>650i SE</b>		-	£1,425***
<b>630i Sport, 650i Sport, 635d Sport</b>		£0	-

**Key**

- = Standard   £ = Optional   - = Not available
- \* = Snow chains cannot be fitted to these wheels
- \*\* = Please note that this wheel has a forged appearance
- \*\*\* = Only available in combination with a BMW Individual paintwork or BMW Individual upholstery



### The most exclusive way to drive a BMW

The higher your standards, the less room there is for compromise. For drivers with the most exacting standards BMW Individual offers a range of stunning and perfectly-crafted materials to ensure that the expression of individuality has never felt so effortless.

A BMW Individual paint finish is more than just a colour, each has its own characteristic brilliance and complexity. Five layers deep, the depth of colour is more sophisticated than the regular metallic paints thanks to a special pigmentation. Xirallic or Titanium Dioxide pigments create an iridescent effect which gives the colours an unmistakable brilliance in the light.

Inside, the level of exclusivity can be continued with the distinctive yet subtle tones of BMW Individual Merino leather. A painstaking refinement process ensures that the leather is kept soft and supple, retaining a unique feel throughout its life as well as meeting the practical demands of a luxury car. And just to complete the interior, you can choose from the hand-picked wood trims that ensure the perfect grain every time.

Let yourself be inspired with BMW Individual.





	630i SE	630i Sport	635d SE	635d Sport	650i SE	650i Sport	630i SE	630i Sport	635d SE	635d Sport	650i SE	650i Sport	Price
<b>BMW EfficientDynamics</b>	<b>Coupé models</b>						<b>Convertible models</b>						
<b>Brake Energy Regeneration</b>	●	●	●	●	●	●	●	●	●	●	●	●	<b>Std</b>
<b>High-precision direct injection</b>	●	●	-	-	-	-	●	●	-	-	-	-	<b>Std</b>

Individual BMW EfficientDynamics features may be excluded, depending on the optional equipment chosen. Your BMW Dealer will be pleased to provide you with more information.

**Transmission**

<b>Sport automatic transmission</b>	2TB	●	●	●	●	●	●	●	●	●	●	●	●	<b>Std</b>
Six-speed automatic transmission gives dynamic and sporty gearchanges via the steering wheel paddles or sports selector lever. Sport button activates Sport Mode where gear changes are almost instantaneous in either up or down shifts. For Sport models, the M Sport steering wheel changes in design closer to 255, Sport leather steering wheel. Six-speed manual transmission can be specified as a zero cost alternative.														

**Wheels and chassis**

<b>Active Steering</b>	217	○	○	○	○	○	○	○	○	○	○	○	○	<b>£950</b>
Effortless steering when parking and turning due to a minimum steering lock (centre to full lock = 3/4 turn). Relaxed motoring at high speeds due to a more indirect steering. Not with 237.														

**Safety and technology**

<b>Active Cruise Control with 'Stop and Go' function</b>	5DF	○	○	○	○	○	○	○	○	○	○	○	○	<b>£1,425</b>
Automatic adjustment of the distance between the car and the vehicle ahead. In stop/start motorway traffic, the system will maintain the distance to the car ahead even if it comes to a complete stop. Once the traffic ahead clears, the car will return to the pre-set speed, providing that the period the vehicle was stationary was not longer than 3 seconds. Only with 2TB.														

**Key**

Only with – these options must be ordered together  
Not with – these options are not available for ordering together

● = Standard ○ = Optional – = Not available

	630i SE	630i Sport	635d SE	635d Sport	650i SE	650i Sport	630i SE	630i Sport	635d SE	635d Sport	650i SE	650i Sport	Price
<b>Safety and technology (cont.)</b>	<b>Coupé models</b>						<b>Convertible models</b>						

<b>Adaptive Headlights</b>	524	○	○	○	○	○	○	○	○	○	○	○	<b>£450</b>
Improved visibility by following the steering angle of the front wheels, giving better illumination of the road ahead through corners (visibility can be improved up to 90%). Not active when the car is reversing to avoid dazzling oncoming traffic.													
<b>Cruise control with brake function</b>	544	●	●	●	●	●	●	●	●	●	●	●	<b>Std</b>
Adjustable in 5mph segments as well as 1mph segments for fine tuning. Pre-set speed is automatically maintained by the application of the throttle and brakes.													
<b>Dynamic Drive</b>	229	○	○	○	○	○	○	○	○	○	○	○	<b>£1,805</b>
Roll stabilisation via active hydraulic anti-roll bars.													
<b>Dynamic Drive package</b>	237	○	○	○	○	○	○	○	○	○	○	○	<b>£3,050</b> <b>£2,595</b>
Includes 217, Active Steering, 229, Dynamic Drive and 2BV, 18" light alloy wheels Double-spoke style 266 with 245/45 R18 front and 275/40 R18 rear Run-flat tyres. Package is available with 595, 19" light alloy wheels Ellipsoid-spoke style 121 as an alternative at additional cost. Please consult with your BMW Dealer for further information. Not with 217 / 229 / 2BV.													
<b>Head-up Display</b>	610	○	○	○	○	○	○	○	○	○	○	○	<b>£920</b>
Head-up Display projects important information such as current speed directly into the driver's field of vision. Direction arrows from the navigation system, Cruise control functions and Check control data can also be displayed. Not with 354.													
<b>High-beam Assistant</b>	5AC	○	○	○	○	○	○	○	○	○	○	○	<b>£105</b>
Supports the driver by automatically alternating between low and high-beam when there is oncoming traffic and when driving through changing light conditions. The system switches high-beam on and off automatically.													

**Key**

Not with – these options are not available for ordering together  
/ = Indicates 'or'

● = Standard ○ = Optional

		630i SE	630i Sport	635d SE	635d Sport	650i SE	650i Sport	630i SE	630i Sport	635d SE	635d Sport	650i SE	650i Sport	Price
		Coupé models						Convertible models						
<b>Lane departure warning system</b> Activated by a button on the steering wheel. Once travelling at speeds in excess of 40mph, a camera mounted in the windscreen measures the distance of the car to the white lines marking out the lane. If the car crosses one of the lines, the steering wheel vibrates as an alert that the vehicle has deviated from the lane of travel. If the indicators are used, the steering wheel will not vibrate.	5AD	○	○	●	●	●	●	○	○	●	●	●	●	£415
<b>Night Vision</b> Infrared sensing camera integrated into the front bumper of the car which picks up heat signatures emitted from objects such as car exhaust systems or, more importantly, humans and animals up to 300 metres away. Control Display is used to show infrared images of obstacles on the road ahead for improved awareness and safety.	611	○	○	○	○	○	○	○	○	○	○	○	○	£1,335
<b>Passenger seat airbag deactivation, front</b> Front passenger seat airbag deactivation.	5DA	●	●	●	●	●	●	●	●	●	●	●	●	Std

**Seats**

<b>Lumbar support, driver and front passenger</b> Pneumatic height and depth adjustment. Electronically adjustable for ergonomically perfect seat position and support of back muscles. Not with 481.	488	○	●	○	●	○	●	○	●	○	●	○	●	£295
<b>Seat adjustment – front, electric with driver memory</b> Electric adjustment for all parameters excluding headrest adjustment. Includes electric steering column adjustment. Memory function for driver's seat and exterior mirrors. Passenger door mirror includes 'kerb-view function'.	459	●	●	●	●	●	●	●	●	●	●	●	●	Std
<b>Seat heating, front</b> Seat heating for driver and front passenger. Seat surface and backrest are rapidly heated to add comfort in colder months. The heated seats can be adjusted by a three-stage switch.	494	●	●	●	●	●	●	●	●	●	●	●	●	Std

**Key**

Not with – these options are not available for ordering together

● = Standard ○ = Optional

		630i SE	630i Sport	635d SE	635d Sport	650i SE	650i Sport	630i SE	630i Sport	635d SE	635d Sport	650i SE	650i Sport	Price
		Coupé models						Convertible models						
<b>Sport seats, front</b> Additional side supports help ensure optimum lateral support when cornering. The seats feature individual adjustments for height, backrest and seat angle, sliding position and thigh support. Includes storage net at rear of backrest. Includes 488, Lumbar support, driver and front passenger. Not with 488.	481	○	●	○	●	○	●	○	●	○	●	○	●	£635

**Exterior equipment**

<b>Comfort Access</b> Enables the opening and locking of the vehicle without having to operate the radio remote control. It is sufficient for the key to be in a pocket, briefcase or handbag. In addition, the engine can be started without the need for a key, using the Start-Stop button.	322	○	○	○	○	○	○	○	○	○	○	○	○	£815
<b>Exterior mirrors – folding, automatically dimming</b> Exterior mirrors with automatic anti-dazzle and fold-in function (at the touch of a button) for parking and manoeuvring through tight spots.	430	○	○	○	○	○	○	○	○	○	○	○	○	£255
<b>Exterior trim, Chromeline</b> Chrome finishers at bottom of windows. Also includes chrome washer jet nozzles.	346	●	–	●	–	●	–	○	–	○	–	○	–	£50
<b>Exterior trim, High-gloss Shadowline</b> High-gloss black finishers around windows, mirror bases and bonnet washer jet nozzles.	760	○	○	○	○	○	○	○	○	○	○	○	○	£315
			●		●		●		●		●		●	£245
								○		○		○		Std
<b>Model designation, deletion</b> Removal of model inscription on the bootlid.	320	○	○	○	○	○	○	○	○	○	○	○	○	£0
<b>Soft-close doors</b> Motorised soft-close for doors.	323	○	○	○	○	○	○	○	○	○	○	○	○	£285
<b>Soft-top, Black</b> Soft-top finished in black.	388	–	–	–	–	–	–	●	●	●	●	●	●	Std
<b>Soft-top, Grey</b> Soft-top finished in grey.	389	–	–	–	–	–	–	○	○	○	○	○	○	£0
<b>Wind deflector</b> Plastic honeycomb wind diffuser that aids in reducing wind within the cabin when the roof is retracted.	387	–	–	–	–	–	–	○	○	○	○	○	○	£285

**Key**

Not with – these options are not available for ordering together

● = Standard ○ = Optional – = Not available

		630i SE	630i Sport	635d SE	635d Sport	650i SE	650i Sport	630i SE	630i Sport	635d SE	635d Sport	650i SE	650i Sport	Price
		Coupé models						Convertible models						
<b>Interior equipment</b>														
<b>BMW Individual Instrument panel, leather</b> Exclusive instrument panel finished in high quality BMW Individual Black leather. Only with upholstery LE.	4M5	○	○	○	○	○	○	○	○	○	○	○	○	£1,175
<b>Climate Comfort laminated glass</b> Infrared reflective laminate for windscreen. Includes 354, Windscreen with green shade band. Coupé – front/rear, Convertible front only. Not with 354.	356	○	○	○	○	○	○	○	○	○	○	○	○	£330
<b>Cup holder</b> Fits into centre console for driver and is stowed in rear centre console when not in use.	442	●	●	●	●	●	●	●	●	●	●	●	●	Std
<b>Extended lighting</b> Lighting of outer door area in outside mirror, door-opener lighting, door sill illumination and front footwell lighting underneath the instrument panel.	563	○	○	○	○	○	○	○	○	○	○	○	○	£230
<b>Glass sunroof</b> Electric glass sunroof with lift control and electronically adjustable sunshade. With the touch of a button the interior light levels are increased giving a real light and airy feel to the interior.	403	○	○	○	○	○	○	-	-	-	-	-	-	£905
<b>Headlining, Anthracite</b> Complete roof liner in anthracite.	775	○	○	○	○	○	○	○	○	○	○	○	○	£285
<b>Ski bag</b> Enables up to two pairs of skis to be transported even when every seat is occupied. When not required, the ski bag is stored behind the rear centre armrest.	464	○	○	○	○	○	○	○	○	○	○	○	○	£235
<b>Smoker's package</b> Can be deleted, which replaces the ashtray with an oddment tray.	441	●	●	●	●	●	●	●	●	●	●	●	●	Std

**Key**

Only with – these options must be ordered together  
Not with – these options are not available for ordering together

● = Standard ○ = Optional – = Not available

		630i SE	630i Sport	635d SE	635d Sport	650i SE	650i Sport	630i SE	630i Sport	635d SE	635d Sport	650i SE	650i Sport	Price
		Coupé models						Convertible models						
<b>Interior equipment (cont.)</b>														
<b>Storage net in passenger footwell, front</b> Storage net, located on passenger side footwell area for storage of small items. Can be deleted.	414	●	●	●	●	●	●	●	●	●	●	●	●	Std
<b>Universal remote control</b> Can replace up to three separate remote control devices for garage door openers, electric gate openers or similar remote control systems eradicating the need to have loose remote control handsets inside the vehicle. Certain remote control devices may not be compatible. Please refer to <a href="http://www.homelink.com">www.homelink.com</a> for details.	319	○	○	○	○	○	○	○	○	○	○	○	○	£165
<b>Windscreen with green shade band</b> Graduated green tinted band at the top of the windscreen. Not with 356 / 610.	354	○	○	○	○	○	○	○	○	○	○	○	○	£60
<b>Audio and communication</b>														
<b>Bluetooth telephone audio connection</b> Additional connection point for the playback of music from a mobile phone with a built-in music player.	6NF	○	○	○	○	○	○	○	○	○	○	○	○	£70
<b>Bluetooth telephone preparation with telematics</b> Preparation for a mobile phone with bluetooth interface, with the addition of a pre-fitted telematic SIM card for the use of BMW ConnectedDrive services.	633	●	●	●	●	●	●	●	●	●	●	●	●	Std
<b>BMW ConnectedDrive – Assist</b> Telematics services with automatic and manual 999 emergency SOS call, BMW Breakdown Service, My Info with Google send to car function and Information Plus (location-based operator service). Includes subscription to services for three years (customer registration required to activate services).	612	●	●	●	●	●	●	●	●	●	●	●	●	Std

**Key**

Not with – these options are not available for ordering together  
/ = Indicates 'or'

● = Standard ○ = Optional

		630i SE	630i Sport	635d SE	635d Sport	650i SE	650i Sport	630i SE	630i Sport	635d SE	635d Sport	650i SE	650i Sport	Price
		Coupé models						Convertible models						
<b>BMW ConnectedDrive – Online</b> WAP-based vehicle browser with access to the BMW Online portal. Services include news, with the ability to set up RSS news feeds, weather and the Google local search, a business listing search facility. Includes subscription to the services for three years (customer registration required to activate services). Please note function disabled when vehicle is in motion.	616	●	●	●	●	●	●	●	●	●	●	●	●	Std
<b>BMW Individual audio system</b> Loudspeaker system including: Nine channel amplifier with Digital Sound Processing (DSP), 16 premium speakers (12 in Convertible models) with Neodym magnetic drives and hexacone diaphragms, and DIRAC signal processing which enables a perfectly timed sound experience in all seats (825W in Coupé and 675W in Convertible).	752	○	○	○	○	○	○	○	○	○	○	○	○	£1,040
<b>BMW Professional radio with single CD player</b> BMW Professional radio with twin-tuner functionality for enhanced radio reception in built-up areas. Includes 'All station' function with radio tuner display for easier identification of local radio station names. Includes MP3 decoder.	663	●	●	●	●	●	●	●	●	●	●	●	●	Std
<b>CD changer</b> CD changer for six CDs installed behind the glovebox compartment.	672	○	○	○	○	○	○	○	○	○	○	○	○	£290
<b>DAB digital radio</b> Enables reception of digital audio programmes.	654	○	○	○	○	○	○	○	○	○	○	○	○	£305
<b>Loudspeaker system – LOGIC7 Professional</b> Provides an enormously rich, intense aural experience with 13 loudspeakers creating a near perfect soundstage (11 speakers in Convertible models, 340W). The central bass creating concept allows for highly authentic reproduction of bass frequencies via subwoofers in the side sills. Includes graphic equaliser.	677	○	○	○	○	○	○	○	○	○	○	○	○	£545

Key ● = Standard ○ = Optional


		630i SE	630i Sport	635d SE	635d Sport	650i SE	650i Sport	630i SE	630i Sport	635d SE	635d Sport	650i SE	650i Sport	Price
		Coupé models						Convertible models						
<b>Navigation system – BMW Professional Multimedia</b> 8.8" high-resolution screen with split-screen functionality. – iDrive Controller with shortcut buttons – Built-in hard disc drive for improved speed of operation and data storage – Multimedia capability with 12GB storage for audio files – USB data port for audio file import/export – Navigation map display modes: 2D, 3D, perspective, satellite, arrow view. Additional night mode and traffic information map views available – DVD drive for DVD video and audio CD playback – Favourite buttons (eight programmable buttons for iDrive functions)	609	●	●	●	●	●	●	●	●	●	●	●	●	Std
<b>TV function</b> Enables reception of digital and analogue television programmes via 8.8" colour display screen when the car is at a standstill. Includes Climate Comfort laminated rear windscreen on Coupé.	601	○	○	○	○	○	○	○	○	○	○	○	○	£805 £795
<b>USB audio interface</b> Interface for an MP3 player or USB memory stored music files. Track selection possible via iDrive Controller or steering wheel multi-function buttons. Please consult your BMW Dealer for details of compatibility. An additional adaptor cable may be required.	6FL	●	●	●	●	●	●	●	●	●	●	●	●	Std
<b>Paintwork, upholstery and trims</b>														
<b>Metallic paintwork</b>	met	●	●	●	●	●	●	●	●	●	●	●	●	Std
<b>Non-metallic paintwork</b>	uni	○	○	○	○	○	○	○	○	○	○	○	○	£0
<b>BMW Individual paintwork</b>	ind	○	○	○	○	○	○	○	○	○	○	○	○	£850
<b>Interior trim, Ruthenium Metallic</b> Interior trim finishers in instrument panel, centre console and side armrests in Ruthenium Metallic.	4CD	●	–	●	–	●	–	●	–	●	–	●	–	Std

Key ● = Standard ○ = Optional – = Not available

		630i SE	630i Sport	635d SE	635d Sport	650i SE	650i Sport	630i SE	630i Sport	635d SE	635d Sport	650i SE	650i Sport	Price
<b>Paintwork, upholstery and trims (cont.)</b>														
<b>Interior trim, Brushed Aluminium</b> Interior trim finishers in instrument panel, centre console and side armrests in Brushed Aluminium.	4BK	○	●	○	●	○	●	○	●	○	●	○	●	<b>£135</b> <b>Std</b>
<b>Interior trim, Dark Birch wood high-gloss</b> Interior trim finishers in instrument panel, centre console and side armrests.	436	○	○	○	○	○	○	○	○	○	○	○	○	<b>£210</b> <b>£0</b>
<b>Interior trim, Maple wood high-gloss</b> Interior trim finishers in instrument panel, centre console and side armrests in Maple wood.	4BW	○	○	○	○	○	○	○	○	○	○	○	○	<b>£210</b> <b>£0</b>
<b>Interior trim, BMW Individual Amarone Walnut wood</b> Interior trim finishers in instrument panel centre console and side armrests in Amarone Walnut.	XE1	○	○	○	○	○	○	○	○	○	○	○	○	<b>£695</b> <b>£485</b>
<b>Interior trim, BMW Individual Piano Black</b> Interior trim finishers in instrument panel centre console and side armrests in Piano Black.	XE7	○	○	○	○	○	○	○	○	○	○	○	○	<b>£695</b> <b>£485</b>
<b>Interior trim, BMW Individual Red Brown Olive Ash wood</b> Interior trim finishers in instrument panel centre console and side armrests in Red Brown Olive Ash.	XE4	○	○	○	○	○	○	○	○	○	○	○	○	<b>£695</b> <b>£485</b>
<b>Dakota leather upholstery</b> Contents in Dakota leather (with SunReflective Technology for Convertible only): centre and side parts of seats, inserts in door and side panels, centre armrest, door grab handles, handbrake handle, gear lever and gaiters.	LC	●	●	●	●	●	●	●	●	●	●	●	●	<b>Std</b>
<b>Exclusive Pearl leather upholstery</b> Contents in Pearl leather (with SunReflective Technology for Convertible only): all seats, inserts in door and side panels, centre armrest, door grab handles and handbrake lever handle. In Nasca leather: centre console, sun visors, gear lever gaiter and handbrake gaiter.	LE	○	○	○	○	○	○	○	○	○	○	○	○	<b>£1,125</b>
<b>BMW Individual Full Merino leather upholstery</b> Includes door sill finishers with BMW Individual designation for SE models. With SunReflective Technology for Convertible models. Only with 775 / 776.	ZB	○	○	○	○	○	○	○	○	○	○	○	○	<b>£4,240</b> <b>£4,705</b>

**Key** Only with – these options must be ordered together  
/ = Indicates 'or'

● = Standard ○ = Optional



	630i SE	630i Sport	635d SE	635d Sport	650i SE	650i Sport	630i SE	630i Sport	635d SE	635d Sport	650i SE	650i Sport	Price
--	---------	------------	---------	------------	---------	------------	---------	------------	---------	------------	---------	------------	-------

Options available from your dealer	Coupé models						Convertible models						Price
<b>BMW Service Inclusive</b> 5 years / 60,000 miles	●	●	●	●	●	●	○	○	○	○	○	○	<b>Std**</b>
<b>BMW Service Inclusive Plus</b> 5 years / 60,000 miles	○	○	○	○	○	○	○	○	○	○	○	○	<b>£1,350***</b> <b>£1,440***</b>
<b>BMW Trackstar</b> 24-hour vehicle tracking device utilising GSM, GPS technology and a vehicle movement sensor. (Meets Thatcham Quality Accreditation – TQA.)	○	○	○	○	○	○	○	○	○	○	○	○	<b>£219*</b>
<b>BMW Trackstar 5</b> 24-hour vehicle tracking device utilising GSM, GPS technology, a vehicle movement sensor and a driver authentication device. (Meets Thatcham Category 5 Accreditation – Cat 5.)	○	○	○	○	○	○	○	○	○	○	○	○	<b>£449*</b>

**Key**

● = Standard ○ = Optional / = Indicates 'or'  
 \* = Prices exclude fitment or subscription. Please consult your BMW Dealer for further details.  
 \*\* = The BMW 6 Series comes with Service Inclusive as standard. Customers can opt-out and in this event there will be a deduction of £300 off the retail price of a six-cylinder model and £350 off the retail price of an eight-cylinder model.  
 \*\*\* = 6 Series customers can upgrade to BMW Service Inclusive Plus at the cost shown.

## Services and Benefits.

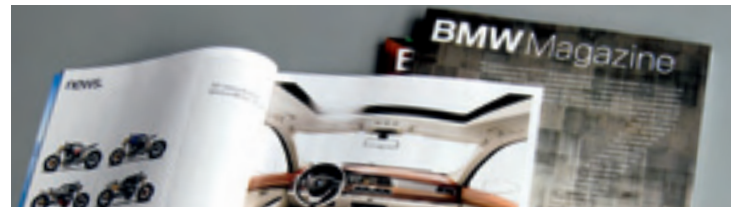
### Warranties

Every BMW registered is protected by a Dealer Warranty, which provides cover for 3 years' unlimited mileage. In addition, every BMW is covered by an unlimited mileage, twelve years' anti-corrosion warranty and three years' paintwork warranty.

Full details of these warranties are available from your BMW Dealer and are provided in the BMW Warranty and Emergency Service Handbook.

### BMW Emergency Service

BMW Emergency Service is the only roadside and assistance programme designed specifically for BMW vehicles offering an exceptional range of benefits and services. It is available 24 hours a day, 7 days a week and utilises a dedicated fleet of BMW Approved Technicians, equipped with Genuine BMW Parts and tools, ensuring that you and your vehicle receive the best possible care in the event of any motoring emergency. This tailor-made programme has been specifically designed to meet the needs of BMW drivers travelling in the UK and Continental Europe giving complete reassurance and peace of mind. Every new BMW is covered for three years.



### BMW Magazine

Every new BMW customer receives a complimentary subscription to BMW Magazine. This lifestyle publication features all the latest news and developments from BMW, including interesting interviews, sporting news, travel experiences and art stories.

## Finance and Insurance from BMW.

### BMW Financial Services

Chances are, you've already decided on the BMW you want to drive. Now discover the perfect finance solution to get you behind the wheel. BMW Financial Services offers a range of tailor-made finance packages to suit you and your budget.

And to help you, at every BMW Dealership, there's a Financial Services Specialist – a dedicated expert who'll find the perfect solution for you. They'll talk you through the options and help you come to the right decision.

Our comprehensive range of finance and insurance products include:

- **BMW Select (Personal Contract Purchase)**
- **BMW Hire Purchase**
- **BMW Contract Hire**
- **BMW Car Insurance**
- **BMW Home Insurance**
- **BMW Travel Insurance**

For details of your local BMW Dealer, please call 0870 5050 150.

Further information on our finance products can be found at

**[www.bmw.co.uk](http://www.bmw.co.uk)**

Finance is subject to status and available to over 18's in the UK only (excludes the Channel Islands). Guarantees and indemnities may be required. Finance is provided by BMW Financial Services, Europa House, Bartley Way, Hook, Hampshire, RG27 9UF.

### BMW Car Insurance

Driving a BMW shows that you refuse to compromise on the quality of your car so why should your car insurance be any different? Designed for you, BMW Car Insurance offers cover that can help give you peace of mind.

Call BMW Car Insurance today on 0870 0240 520.

Lines open 8am – 8pm Monday to Friday, 9am – 5pm Saturdays. Max call charge from a BT landline is 8p a minute. Calls from other networks may vary.

BMW Car Insurance is underwritten by UK Insurance Limited. The Wharf, Neville Street, Leeds, LS1 4AZ, which is authorised and regulated by The Financial Services Authority.

## BMW ConnectedDrive.

BMW ConnectedDrive provides telematic and Online services that are fully integrated with your navigation and Bluetooth telephone system. The services provide you and your passengers access to key information from within the vehicle, helping you keep safe and in touch.



### Emergency 999 SOS call

The emergency SOS call provides a direct link to a 999 emergency call centre. This call can either be activated manually, or in extreme situations the sensors in the vehicle will automatically make the call and transmit your location to the emergency services. In either instance you can be assured that help can be despatched without delay.

### Breakdown call

Roadside breakdown assistance is never far away because with BMW ConnectedDrive your vehicle will have a direct link to the BMW Service Centre. This link automatically provides the operator with your vehicle details and position so that a BMW Approved Technician can be despatched quickly and easily.

### Information Plus

At the push of a button local information is available wherever you may be in the country, using the Information Plus service. The service is available 24 hours a day, seven days a week and connects you to an operator who will be able to quickly access the information you need. You can request places of interest, from hotels and restaurants to museums or historical attractions. The information is then sent to your car and can then be used in your navigation system to plan a route to your destination, or to make a call on your Bluetooth telephone.

### My Info

As a BMW ConnectedDrive customer you will be able to access an internet website from where you, or others, can send information to your vehicle. Multiple addresses and telephone numbers can be sent to your vehicle, they can then be transferred into your navigation system or your Bluetooth telephone. Using the My Info service you can also send residential addresses or business listings via Google Maps. When you have found a place of interest or entered the address in the map, there is a send-to-car function on the website, this will send the address and telephone number to your vehicle.

### Remote Services

Remote Services provides you with the facility to contact the BMW Service Centre, who can remotely lock or unlock your vehicle. You will be required to activate your vehicle and set-up your own personal security questions within the ConnectedDrive website. After you have set-up the service, should you be in a situation where you have accidentally locked your keys in the car, the BMW Service Centre will be able unlock your vehicle. Likewise, if you are not near your car and you cannot remember if you have locked your car, our call centre can remotely lock the vehicle for you.

### Extended News and Weather

BMW ConnectedDrive provides you with access to a WAP-based browser which connects to the BMW Online portal. The portal displays the latest Weather forecast and Extended News stories from categories such as World, Business and Sports news.

### My News

From your BMW Online portal, My News provides you with a selection of the latest news from internet sources, which can be defined as you desire. Through these RSS news feeds, titles and short summaries of news items from websites will be visible directly in the Control Display of your BMW. This gives you quick access to your favoured news topics and enables you to keep in touch.

## Aftersales.

### Google local search

With the Google local search you can access location based information via Google Maps, from the BMW Online portal in the car. Information such as hotels and restaurants can be requested at the current vehicle location, navigation destination or at any other specific location. The content is taken directly from live Google Maps information. Search results appear in a list format, the addresses can be transferred into the navigation system or the telephone number can be transferred to a Bluetooth telephone. Some search results contain additional information such as opening hours, car park details or pictures of the location.

### Routes

With Routes you have the facility to import a route with multiple stop-off points into the navigation system. BMW Routes provides a number of default routes across Europe for you to import in your car via BMW Online. My Routes allows you to configure your own routes on the ConnectedDrive website. They can be saved onto a USB memory stick and you can import them directly into your vehicle. This provides you with the facility to plan a trip from comfort of your own home.

### BMW ConnectedDrive website

As a BMW ConnectedDrive customer you will have access to an internet website with a route planner, traffic information and text message service. The website provides a link to your vehicle by allowing you to send information to your car. You can also modify your news links for My News, or set-up Remote Services for your car. Additional services such as profile settings and a handy help page are also featured.

A three year BMW ConnectedDrive subscription is included with every new BMW 6 Series. In conjunction with Bluetooth telephone preparation with telematics (633), unlimited use of BMW ConnectedDrive is included within the subscription.

In the UK ConnectedDrive services require a connection to a UK mobile telephone network. Services are not available on the Isle of Man or the Channel Islands. Some services are available in other European countries, refer to your BMW dealer for more details. Terms and conditions apply.

### BMW Service Inclusive

Wouldn't it be good to know all your servicing costs in advance? Well, that's exactly what BMW Service Inclusive provides. Once you have decided which of the options best suits your needs, you can simply relax, and look forward to enjoying care-free driving, courtesy of BMW Service Inclusive.

BMW Service Inclusive lasts for 5 years or 60,000 miles (whichever occurs sooner), so all you need to do is decide which option suits you best. BMW Service Inclusive – covering all your vehicle's servicing requirements or BMW Service Inclusive Plus which, in addition to servicing, also covers maintenance items such as brakes pads, brake discs and windscreen wipers.

Furthermore, BMW Service Inclusive is transferable to subsequent owners within the time and mileage period, enhancing the resale value of your car.\*

\*For further information please contact your local BMW Dealer.

### Genuine BMW Accessories

Your choice of car says a great deal about you. Genuine BMW Accessories allow you to make that statement even more personal. There's endless scope for personalising your BMW to suit your needs and style, with a wide range of accessories from exterior and interior styling to mobile communications, all of which have been designed to the same exacting standards as your vehicle. For further details on Genuine BMW Accessories for your BMW, please contact your local BMW Dealer.

### BMW Lifestyle

The BMW Lifestyle Collection reflects the exclusivity and versatility of BMW design. This innovative product range demonstrates the highest quality in both materials and functionality. The extensive product portfolio includes clothing and accessories items such as miniatures, keyrings, leather goods, kids' mobility products, golf accessories and yachting products.

	630i Coupé	650i Coupé	635d Coupé	630i Convertible	650i Convertible	635d Convertible
<b>Engine and performance</b> <sup>1,2</sup>						
<b>Configuration</b> <small>[cylinders/valves]</small>	In-line 6 / 4	V8 / 4	In-line 6 / 4	In-line 6 / 4	V8 / 4	In-line 6 / 4
<b>Displacement</b> <small>[cc]</small>	2996	4799	2993	2996	4799	2993
<b>Stroke / Bore</b> <small>[mm]</small>	88.0 / 85.0	88.3 / 93.0	90.0 / 84.0	88.0 / 85.0	88.3 / 93.0	90.0 / 84.0
<b>Power output</b> <small>[hp]</small>	272	367	286	272	367	286
<b>Torque output</b> <small>[Nm]</small>	320	490	580	320	490	580
<b>Top speed</b> <small>[mph]</small>	155 <sup>4</sup>	155 <sup>4</sup>	155 <sup>4</sup>	155 <sup>4</sup>	155 <sup>4</sup>	155 <sup>4</sup>
<b>0-62mph</b> <small>[secs]</small>	6.4 (6.2)	5.2 (5.1)	6.3	7.0 (6.7)	5.6 (5.5)	6.6

<b>Fuel consumption and emissions</b> <sup>1,3</sup>						
<b>Urban</b> <small>[mpg / l/100km]</small>	25.7 / 11.0 (25.2 / 11.2)	17.8 / 15.9 (15.9 / 17.8)	30.7 / 9.2	24.4 / 11.6 (23.9 / 11.8)	17.1 / 16.5 (14.7 / 19.2)	29.4 / 9.6
<b>Extra-Urban</b> <small>[mpg / l/100km]</small>	48.7 / 5.8 (47.1 / 6.0)	38.2 / 7.4 (34.9 / 8.1)	50.4 / 5.6	47.1 / 6.0 (44.8 / 6.3)	36.7 / 7.7 (32.1 / 8.8)	48.7 / 5.8
<b>Combined</b> <small>[mpg / l/100km]</small>	36.7 / 7.7 (35.8 / 7.9)	26.9 / 10.5 (24.1 / 11.7)	40.9 / 6.9	34.9 / 8.1 (34.0 / 8.3)	25.9 / 10.9 (22.4 / 12.6)	39.2 / 7.2
<b>CO<sub>2</sub> emissions</b> <small>[g/km]</small>	184 (188)	249 (279)	183	192 (198)	258 (299)	190
<b>Emissions classification</b>	EU4	EU4	EU4	EU4	EU4	EU4

<b>Additional technical data</b> <sup>1</sup>						
<b>Luggage capacity</b> <small>[l]</small>	450	450	450	300-350	300-350	300-350
<b>Fuel tank capacity</b> <small>[l]</small>	70	70	70	70	70	70
<b>Curb weight: DIN/EU</b> <sup>5</sup> <small>[kg]</small>	1540 / 1615	1650 / 1725	1650 / 1725	1750 / 1825	1860 / 1935	1860 / 1935
<b>Axle unloaded ratio DIN</b> <small>[%]</small>	48.1	47	47	51.7	50.5	50.5
<b>Gross weight / Payload</b> <small>[kg]</small>	1990 / 450	2100 / 450	2100 / 450	2150 / 400	2260 / 400	2260 / 400
<b>Axle loaded limit front/rear</b> <small>[kg]</small>	980 / 1090	1060 / 1130	1060 / 1140	1020 / 1210	1100 / 1250	1100 / 1250
<b>Trailer load braked</b> <small>[kg]</small>	–	–	–	–	–	–
<b>Trailer load unbraked</b> <small>[kg]</small>	–	–	–	–	–	–
<b>Roof load limit</b> <small>[kg]</small>	–	–	–	–	–	–
<b>Drag coefficient</b> <small>[cd]</small>	0.30	0.30	0.30	0.31	0.31	0.31

<sup>1</sup> All figures apply for standard Sport automatic transmission. Figures in ( ) apply to optional Six-speed manual transmission.

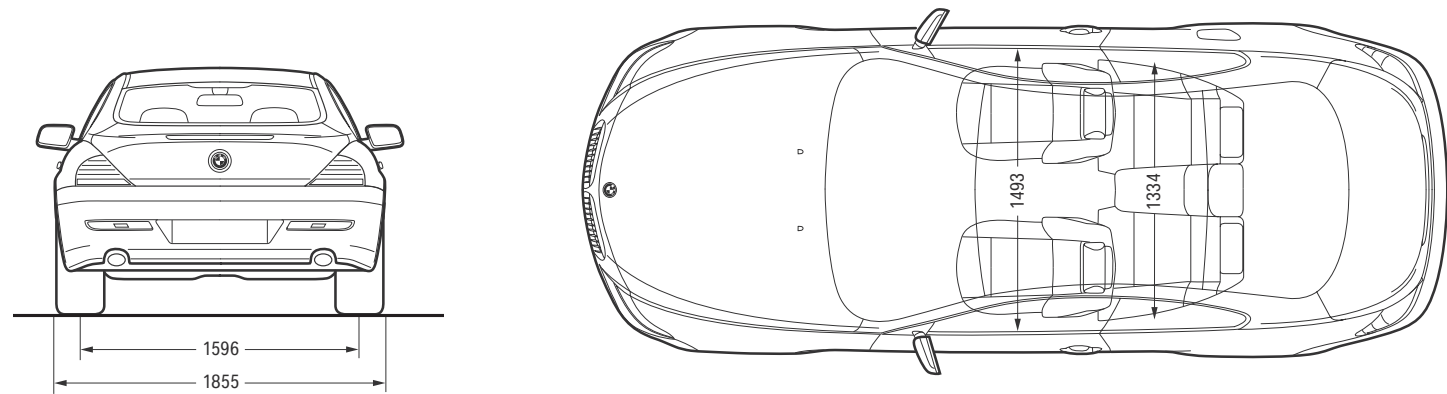
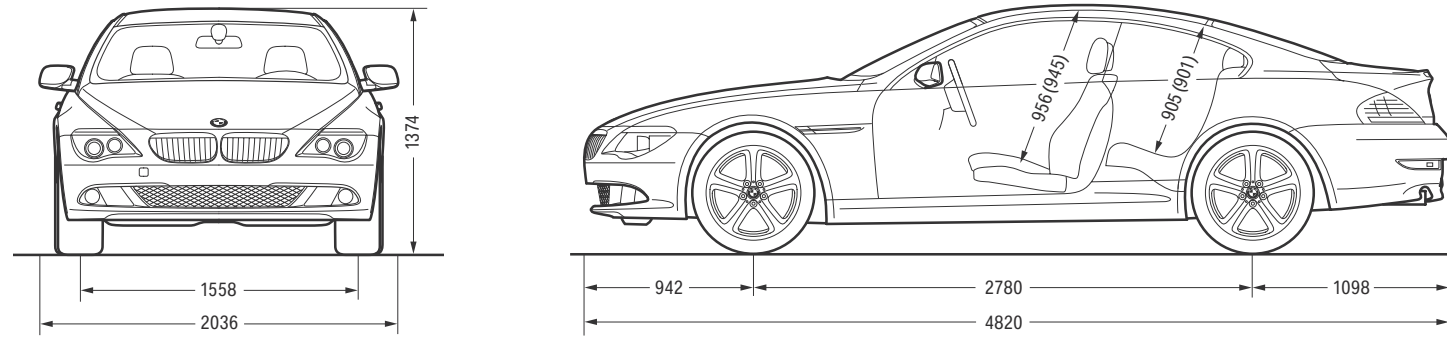
<sup>2</sup> The petrol engines are designed for RON 98 fuel. The may be run on lower grades up to RON 91 fuel with a possible decrease in engine output.

<sup>3</sup> The engines conform to the EU4 standard. Fuel consumption is determined according to the ECE combined driving cycle in which approx. one third of the distance covered is in urban traffic and two thirds are extra urban driving. CO<sub>2</sub> emission are measures in addition to fuel consumption.

<sup>4</sup> Electronically limited.

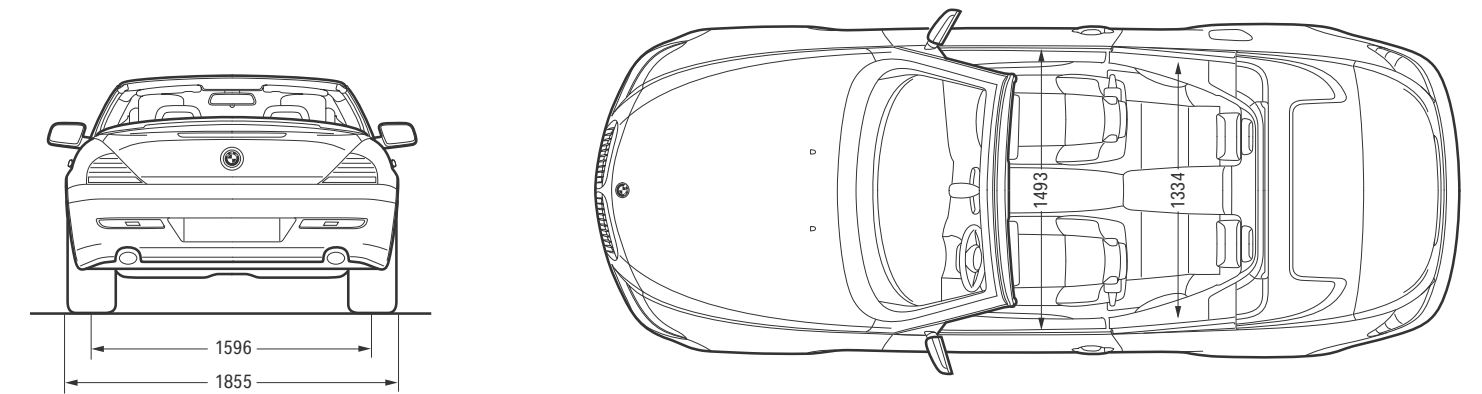
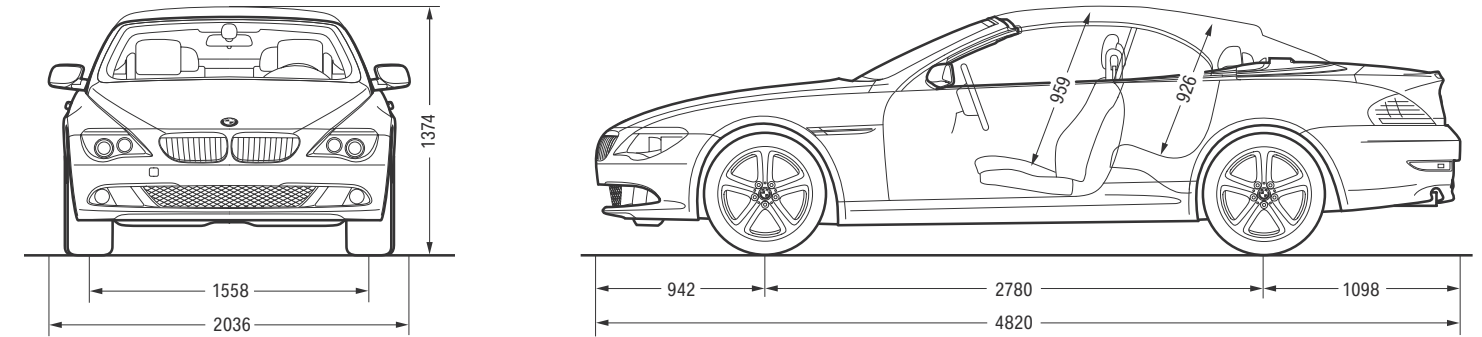
<sup>5</sup> The figures are based on a 90% tank filling, driver's weight of 68kg and 7kg of luggage.

## BMW 6 Series Coupé.



All dimensions in millimetres.

## BMW 6 Series Convertible.



All dimensions in millimetres.

More about BMW



The Ultimate  
Driving Machine

Tel. 0800 325 600  
[www.bmw.co.uk](http://www.bmw.co.uk)



This price list is printed on paper which has  
been sourced from sustainably managed forests.